

## Luthor Big - Professional

La gamma dei faretti da incasso Luthor si completa con le tre misure. Questo consente di poter inserire gli apparecchi in tutti i fori di incasso utilizzando prodotti della stessa.

I faretti ad incasso orientabili Luthor LED offrono una luce tecnologicamente avanzata: grazie alla grande robustezza, all'ottima qualità e alle elevate performance, i faretti Luthor LED rappresentano un prodotto ideale per l'illuminazione di grandi aree commerciali.

Corpo orientabile Big: in alluminio pressofuso

Riflettore: In alluminio prismaticizzato e brillantato ad alto rendimento

Verniciatura: A polvere con vernice epossidica in poliestere resistente ai raggi UV.

Normativa: Prodotti in conformità alle norme EN 60598-1-CEI 34.21, hanno grado di protezione secondo le norme EN 60529.

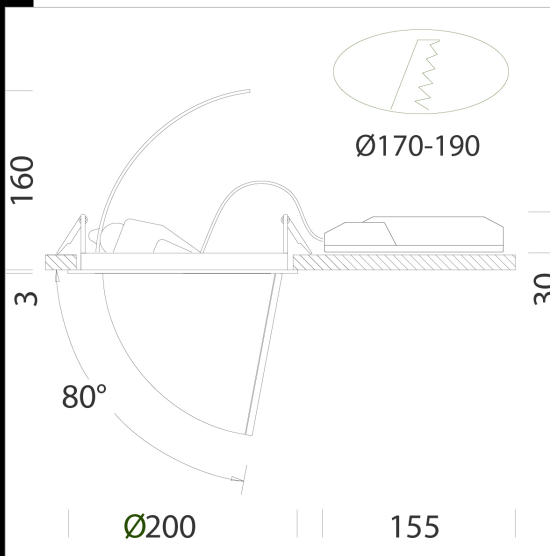
Fattore di potenza:  $\geq 0,95$

Classificazione rischio fotobiologico: gruppo esente.

Mantenimento del flusso luminoso al 80%: 50.000h (L80B20).

fori di incasso da 170mm a 195mm

22088812-00 / 22088872-00 / 22088813-00 / 22088873-00: class I



### Download

DXF 2D  
- luth3.dxf

Montaggi  
- Luthor\_rev6.pdf

The reported luminous flux is the flux emitted by the light source with a tolerance of  $\pm 10\%$  compared to the indicated value. The W tot column indicates the total wattage absorbed by the system without exceeding 10% of the indicated

Code	Gear	Kg	Lumen Output-K-CRI	WTot	Colour
22087814-00	CLD CELL	1,50	LED COB-2468lm-3000K-20°-CRI 93	25 W	BIANCO
22087874-00	CLD CELL	1,50	LED COB-2468lm-3000K-20°-CRI 93	25 W	ARGENTO
22087814-68	CLD CELL	1,50	LED COB-2641lm-4000K-20°-CRI 93	27 W	BIANCO
22087874-68	CLD CELL	1,50	LED COB-2641lm-4000K-20°-CRI 93	27 W	ARGENTO
22087815-00	CLD CELL	1,50	LED COB-2539lm-3000K-32°-CRI 93	25 W	BIANCO
22087875-00	CLD CELL	1,50	LED COB-2539lm-3000K-32°-CRI 93	25 W	ARGENTO
22087817-00	CLD CELL	1,50	LED COB-2593lm-4000K-32°-CRI 92	25 W	BIANCO
22087877-00	CLD CELL	1,50	LED COB-2593lm-4000K-32°-CRI 92	25 W	ARGENTO
22088810-00	CLD CELL	1,70	LED COB-3852lm-3000K-32°-CRI 92	39 W	BIANCO
22088870-00	CLD CELL	1,70	LED COB-3852lm-3000K-32°-CRI 92	39 W	ARGENTO
22088811-00	CLD CELL	1,70	LED COB-4207lm-4000K-32°-CRI 92	39 W	BIANCO
22088871-00	CLD CELL	1,70	LED COB-4207lm-4000K-32°-CRI 92	39 W	ARGENTO
22088872-00	CLD CELL	1,50	LED COB-4408lm-3000K-32°-CRI 92	45 W	ARGENTO
22088812-00	CLD CELL	1,51	LED COB-4408lm-3000K-32°-CRI 92	45 W	BIANCO
22088813-00	CLD CELL	1,53	LED COB-5169lm-4000K-32°-CRI 92	54 W	BIANCO
22088873-00	CLD CELL	1,54	LED COB-5169lm-4000K-32°-CRI 92	54 W	ARGENTO
22087814-1241	CLD CELL-D-D	1,55	LED COB-2468lm-3000K-20°-CRI 93	28 W	BIANCO
22087874-1241	CLD CELL-D-D	1,55	LED COB-2468lm-3000K-20°-CRI 93	27 W	ARGENTO
22087814-6841	CLD CELL-D-D	1,55	LED COB-2641lm-4000K-20°-CRI 93	27 W	BIANCO
22087874-6841	CLD CELL-D-D	1,55	LED COB-2641lm-4000K-20°-CRI 93	27 W	ARGENTO
22087875-1241	CLD CELL-D-D	1,55	LED COB-2539lm-3000K-32°-CRI 93	27 W	ARGENTO
22087815-1241	CLD CELL-D-D	1,47	LED COB-2539lm-3000K-32°-CRI 93	27 W	BIANCO
22087817-1241	CLD CELL-D-D	1,60	LED COB-2593lm-4000K-32°-CRI 92	27 W	BIANCO
22087877-1241	CLD CELL-D-D	1,60	LED COB-2593lm-4000K-32°-CRI 92	27 W	ARGENTO
22088810-1241	CLD CELL-D-D	1,54	LED COB-3852lm-3000K-32°-CRI 92	40 W	BIANCO
22088870-1241	CLD CELL-D-D	1,54	LED COB-3852lm-3000K-32°-CRI 92	39 W	ARGENTO
22088811-1241	CLD CELL-D-D	1,50	LED COB-4207lm-4000K-32°-CRI 92	39 W	BIANCO
22088871-1241	CLD CELL-D-D	1,50	LED COB-4207lm-4000K-32°-CRI 92	39 W	ARGENTO
22088812-1241	CLD CELL-D-D	1,54	LED COB-4408lm-3000K-32°-CRI 92	45 W	BIANCO
22088872-1241	CLD CELL-D-D	1,54	LED COB-4408lm-3000K-32°-CRI 92	45 W	ARGENTO
22088813-1241	CLD CELL-D-D	1,56	LED COB-5169lm-4000K-32°-CRI 92	54 W	BIANCO
22088873-1241	CLD CELL-D-D	1,56	LED COB-5169lm-4000K-32°-CRI 92	54 W	ARGENTO

## Luthor Big - Professional

Code	Gear	Kg	Lumen Output-K-CRI	WTot	Colour
22087814-09	CLD CELL-E	1,80	LED COB-2468lm-3000K-20°-CRI 93	27 W	BIANCO
22087874-09	CLD CELL-E	1,80	LED COB-2468lm-3000K-20°-CRI 93	28 W	ARGENTO
22087814-6809	CLD CELL-E	1,80	LED COB-2641lm-4000K-20°-CRI 93	27 W	BIANCO
22087874-6809	CLD CELL-E	1,80	LED COB-2641lm-4000K-20°-CRI 93	27 W	ARGENTO
22087815-09	CLD CELL-E	1,95	LED COB-2539lm-3000K-32°-CRI 93	27 W	BIANCO
22087875-09	CLD CELL-E	1,85	LED COB-2539lm-3000K-32°-CRI 93	28 W	ARGENTO
22087817-09	CLD CELL-E	1,94	LED COB-2593lm-4000K-32°-CRI 92	27 W	BIANCO
22087877-09	CLD CELL-E	1,94	LED COB-2593lm-4000K-32°-CRI 92	27 W	ARGENTO
22088810-09	CLD CELL-E	1,86	LED COB-3852lm-3000K-32°-CRI 92	39 W	BIANCO
22088870-09	CLD CELL-E	1,86	LED COB-3852lm-3000K-32°-CRI 92	39 W	ARGENTO
22088811-09	CLD CELL-E	1,94	LED COB-4207lm-4000K-32°-CRI 92	39 W	BIANCO
22088871-09	CLD CELL-E	1,90	LED COB-4207lm-4000K-32°-CRI 92	39 W	ARGENTO
22088812-09	CLD CELL-E	1,90	LED COB-4408lm-3000K-32°-CRI 92	45 W	BIANCO
22088872-09	CLD CELL-E	1,90	LED COB-4408lm-3000K-32°-CRI 92	45 W	ARGENTO
22088813-09	CLD CELL-E	1,90	LED COB-5169lm-4000K-32°-CRI 92	54 W	BIANCO
22088873-09	CLD CELL-E	1,90	LED COB-5169lm-4000K-32°-CRI 92	54 W	ARGENTO
22087814-31	CLD CELL-E	1,90	LED COB-2468lm-3000K-20°-CRI 93	27 W	BIANCO
22087874-31	CLD CELL-E	1,90	LED COB-2468lm-3000K-20°-CRI 93	27 W	ARGENTO
22087814-3113	CLD CELL-E	1,90	LED COB-2641lm-4000K-20°-CRI 93	27 W	BIANCO
22087874-3113	CLD CELL-E	1,90	LED COB-2641lm-4000K-20°-CRI 93	27 W	ARGENTO
22087815-31	CLD CELL-E	1,90	LED COB-2539lm-3000K-32°-CRI 93	27 W	BIANCO
22087875-31	CLD CELL-E	1,90	LED COB-2539lm-3000K-32°-CRI 93	27 W	ARGENTO
22087817-31	CLD CELL-E	1,90	LED COB-2593lm-4000K-32°-CRI 92	27 W	BIANCO
22087877-31	CLD CELL-E	1,90	LED COB-2593lm-4000K-32°-CRI 92	27 W	ARGENTO
22088810-31	CLD CELL-E	1,90	LED COB-3852lm-3000K-32°-CRI 92	39 W	BIANCO
22088870-31	CLD CELL-E	1,90	LED COB-3852lm-3000K-32°-CRI 92	39 W	ARGENTO
22088811-31	CLD CELL-E	1,90	LED COB-4207lm-4000K-32°-CRI 92	39 W	BIANCO
22088871-31	CLD CELL-E	1,90	LED COB-4207lm-4000K-32°-CRI 92	39 W	ARGENTO
22088812-31	CLD CELL-E	1,90	LED COB-4408lm-3000K-32°-CRI 92	45 W	BIANCO
22088872-31	CLD CELL-E	1,90	LED COB-4408lm-3000K-32°-CRI 92	45 W	ARGENTO
22088813-31	CLD CELL-E	1,90	LED COB-5169lm-4000K-32°-CRI 92	54 W	BIANCO
22088873-31	CLD CELL-E	1,90	LED COB-5169lm-4000K-32°-CRI 92	54 W	ARGENTO

The reported luminous flux is the flux emitted by the light source with a tolerance of  $\pm 10\%$  compared to the indicated value. The W tot column indicates the total wattage absorbed by the system without exceeding 10% of the indicated