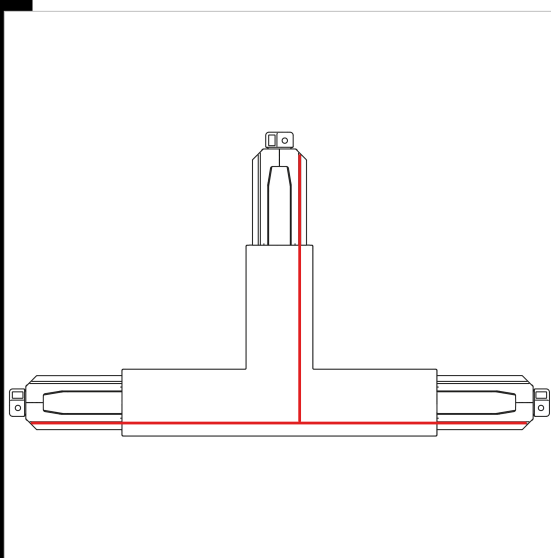


Giunto a "T" esterno - dx

Consente la connessione elettrica esterna "destra" e meccanica per la Giunto a "T".

Download

DXF 2D
- 26613.dxf



Code	Kg	WTot	Colour
22026613-00	0,30	0 W	BIANCO
22026633-00	0,30	0 W	NERO

Prodotti



- Omnitrack PLUS - DIMM - 6



- Omnitrack PLUS da incasso -

The reported luminous flux is the flux emitted by the light source with a tolerance of $\pm 10\%$ compared to the indicated value. The W tot column indicates the total wattage absorbed by the system without exceeding 10% of the indicated