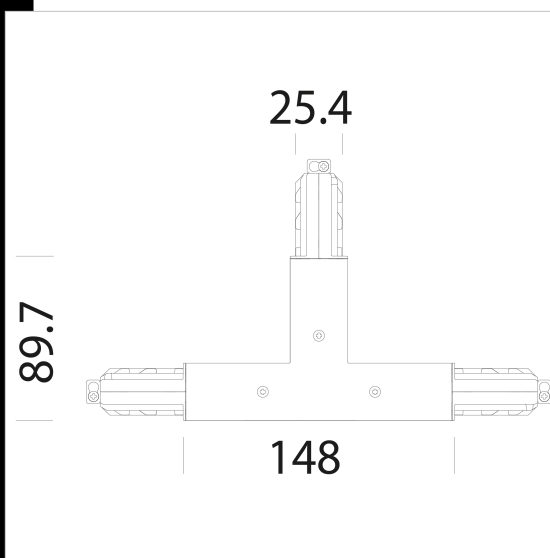
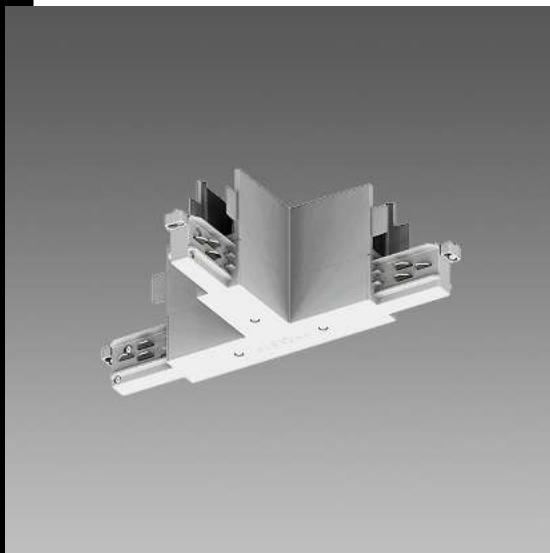


Giunto a "T" esterno - dx H

Consente la connessione elettrica esterna "destra" e meccanica per la Giunto a "T".

Download

DXF 2D
- 26214.dxf



| Code | Kg | WTot | Colour |
|-------------|------|------|--------|
| 22026213-00 | 0,23 | 0 W | BIANCO |

Prodotti



- Omnitrack H - Dimm - 6

The reported luminous flux is the flux emitted by the light source with a tolerance of $\pm 10\%$ compared to the indicated value. The W tot column indicates the total wattage absorbed by the system without exceeding 10% of the indicated