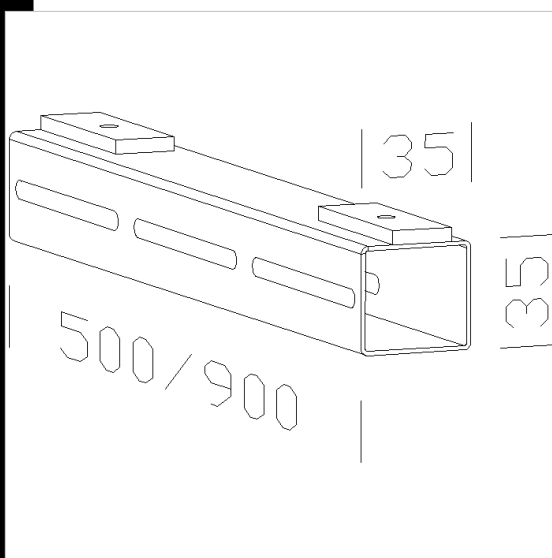


Staffa supporto binari

Tubolare in acciaio permette di unire i due Omnitrack e di fissare la staffa acc. 24870.

Download

DXF 2D
- f24875.dxf



Code	Kg	WTot	Colour
22024879-00	0,80	0 W	OSSIDATO
22024875-00	0,50	0 W	OSSIDATO

Prodotti



- Omnitrack 3 accensioni

The reported luminous flux is the flux emitted by the light source with a tolerance of $\pm 10\%$ compared to the indicated value. The W tot column indicates the total wattage absorbed by the system without exceeding 10% of the indicated