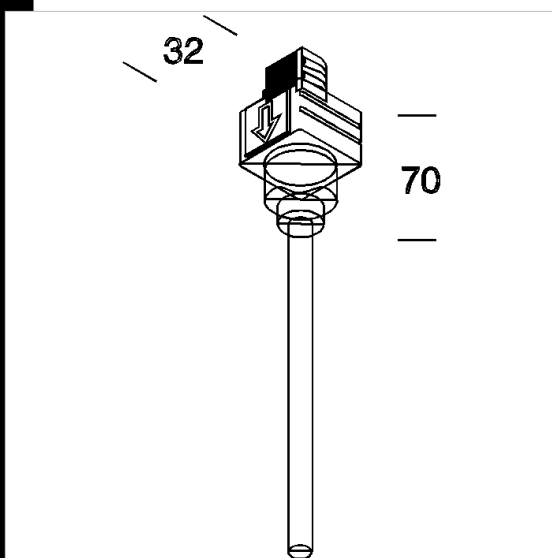


Adattatore

Massimo 6A. In nylon f.v. autoestinguente.



Code	Kg	WTot	Colour
22020127-00	0,04	0 W	NERO
22024127-00	0,04	0 W	BIANCO

Prodotti



- Omnitrack incasso

Download

DXF 2D
- v_024129.dxf

The reported luminous flux is the flux emitted by the light source with a tolerance of $\pm 10\%$ compared to the indicated value. The W tot column indicates the total wattage absorbed by the system without exceeding 10% of the indicated