

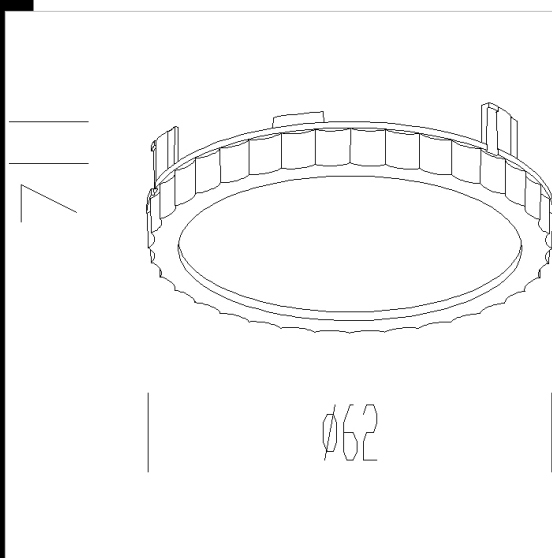
Download

DXF 2D  
- g8filt.dxf



## Filtri colorati Gi Otto

Vetro colorato con trattamento dicroico.



Code	Kg	WTot	Colour
22005896-00	0,20	0 W	BLU
22005897-00	0,20	0 W	ROSSO
22005898-00	0,20	0 W	GIALLO
22005899-00	0,20	0 W	VERDE

### Prodotti



- Gi Otto 2 x ar111



- Gi Otto 4 x ar111 Sospensione



- Gi Otto 2 x dicro Basetta fissa

The reported luminous flux is the flux emitted by the light source with a tolerance of  $\pm 10\%$  compared to the indicated value. The W tot column indicates the total wattage absorbed by the system without exceeding 10% of the indicated