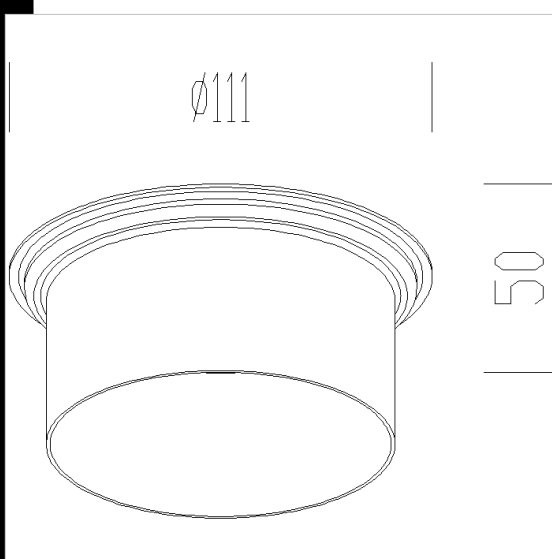


Convogliatore Gi Otto

Convoglia il fascio luminoso in un'unica direzione.



Code	Kg	WTot	Colour
22005894-00	0,40	0 W	NERO

Prodotti



- Gi Otto con stelo



- Gi Otto 2 x ar111



- Gi Otto 4 x ar111 Sospensione



- Gi Otto 2 x ar111 Basetta fissa



- Gi Otto 4 x ar111



- Gi Otto 2 x ar111 Basetta orientabile

Download

DXF 2D
- 5894.dxf

The reported luminous flux is the flux emitted by the light source with a tolerance of $\pm 10\%$ compared to the indicated value. The W tot column indicates the total wattage absorbed by the system without exceeding 10% of the indicated