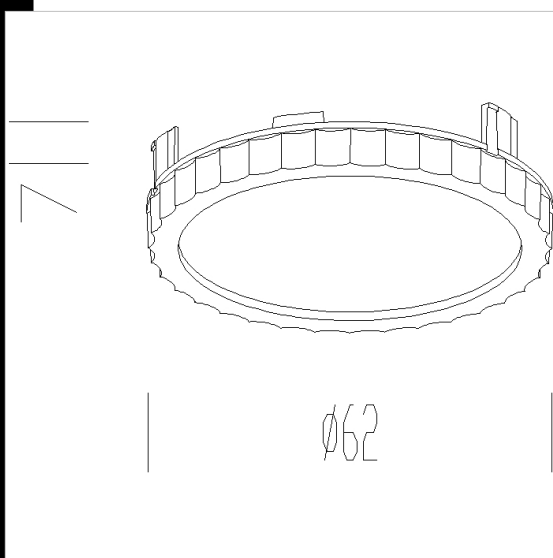


Filtro cristalleria Gi Otto

Filtri speciali per valorizzare le merci in esposizione.



Code	Kg	WTot
22005890-00	0,20	0 W

Prodotti



- Gi Otto 4 x ar111 Sospensione

Download

DXF 2D
- g8filt.dxf

The reported luminous flux is the flux emitted by the light source with a tolerance of $\pm 10\%$ compared to the indicated value. The W tot column indicates the total wattage absorbed by the system without exceeding 10% of the indicated