



3° IP
IK

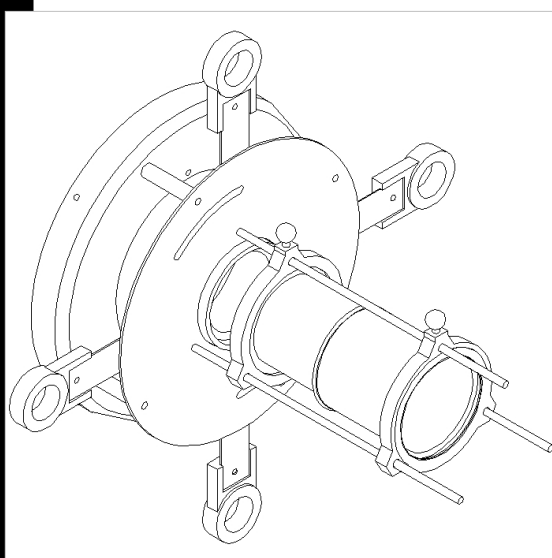
Download

DXF 2D
- 5863.dxf



Sagomatore grande

Per versione D+N, E+N con staffa.



Code	Kg	WTot	Colour
22005863-00	0,70	0 W	NERO

Prodotti



- Vision D+N - CDM70 - FL -



- Vision D+N - CDM70 - FM -

The reported luminous flux is the flux emitted by the light source with a tolerance of $\pm 10\%$ compared to the indicated value. The W tot column indicates the total wattage absorbed by the system without exceeding 10% of the indicated