



3° IP
IK

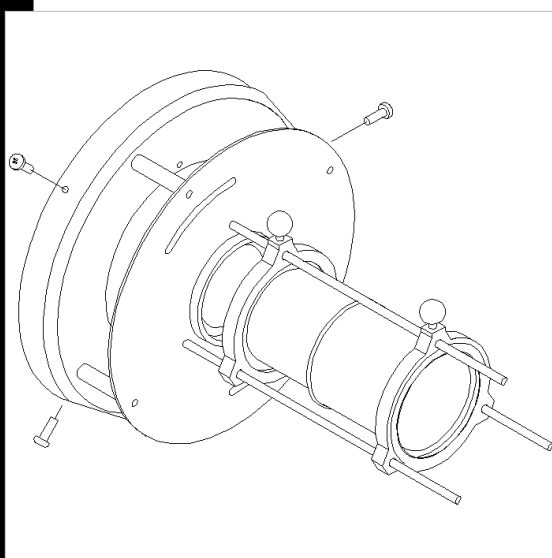
Download

DXF 2D
- 5862.dxf



Sagomatore piccolo

Per versione F+N, G+N, H+N, D+N, E+N.



Code	Kg	WTot	Colour
22005862-00	0,30	0 W	NERO

Prodotti



- Vision D+N - CDM70 - FM -



- Vision D+N - CDM70 - FM -



- Vision E+N - FM - Basetta



- Vision E+N - FM - Adattatore



- Vision E+N - FL - Adattatore universale



- Vision D+N - CDM70 - FL - Adattatore universale



- Vision D+N - CDM70 - FL - Basetta



- Vision E+N - FL - Basetta

The reported luminous flux is the flux emitted by the light source with a tolerance of $\pm 10\%$ compared to the indicated value. The W tot column indicates the total wattage absorbed by the system without exceeding 10% of the indicated