

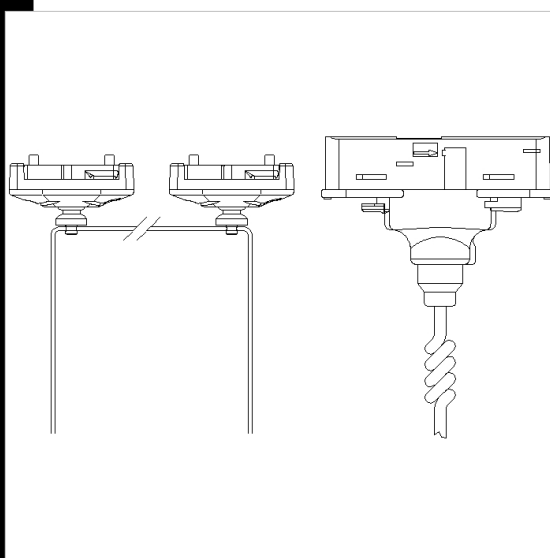
Download

DXF 2D
- g8kssp.dxf



Kit per sospensione con cavo spiralato

Con 2 adattatori meccanici, 1 adattatore elettrico, cavetto in acciaio, cavo spiralato e regolazione millimetrica.



Code	Kg	WTot	Colour
22005876-00	0,46	0 W	GRIGIO
22005886-00	0,50	0 W	BIANCO
22005806-00	0,44	0 W	NERO

Prodotti



- Gi Otto 4 x ar111 Sospensione

The reported luminous flux is the flux emitted by the light source with a tolerance of $\pm 10\%$ compared to the indicated value. The W tot column indicates the total wattage absorbed by the system without exceeding 10% of the indicated