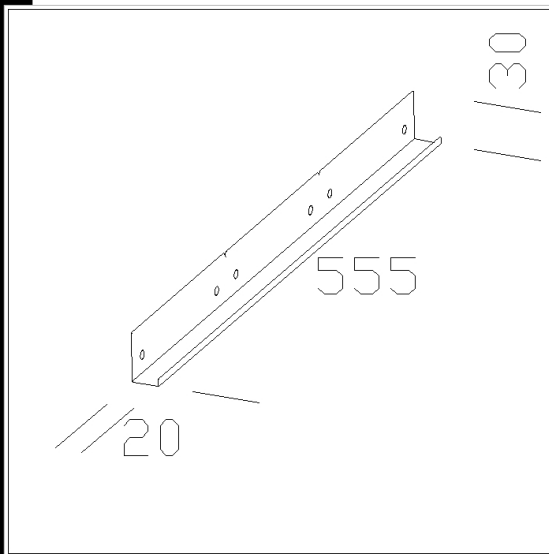


Download

DXF 2D
- 5475.dxf



Code	Kg	WTot	Colour
22005475-00	0,20	0 W	ARGENTO

Prodotti



- Compendio - COB



- Compendio AR singolo



- Compendio

The reported luminous flux is the flux emitted by the light source with a tolerance of $\pm 10\%$ compared to the indicated value. The W tot column indicates the total wattage absorbed by the system without exceeding 10% of the indicated