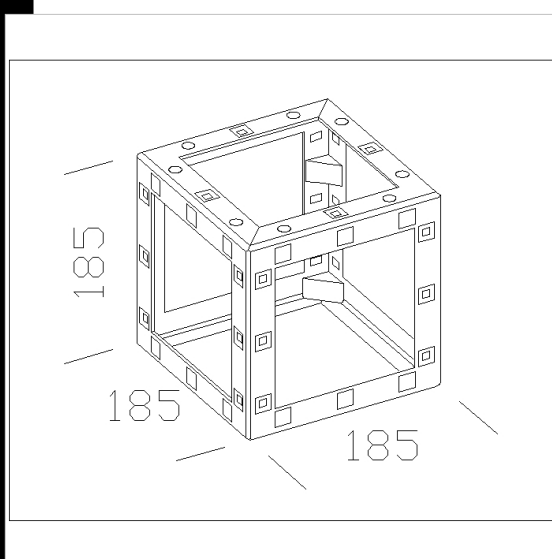


## Struttura S Compendio

Struttura senza cablaggio e proiettore.



Code	Kg	WTot	Colour
22005474-00	0,90	0 W	ARGENTO

### Prodotti



- Compendio - COB



- Compendio AR singolo



- Compendio



- Compendio binario

The reported luminous flux is the flux emitted by the light source with a tolerance of  $\pm 10\%$  compared to the indicated value. The W tot column indicates the total wattage absorbed by the system without exceeding 10% of the indicated