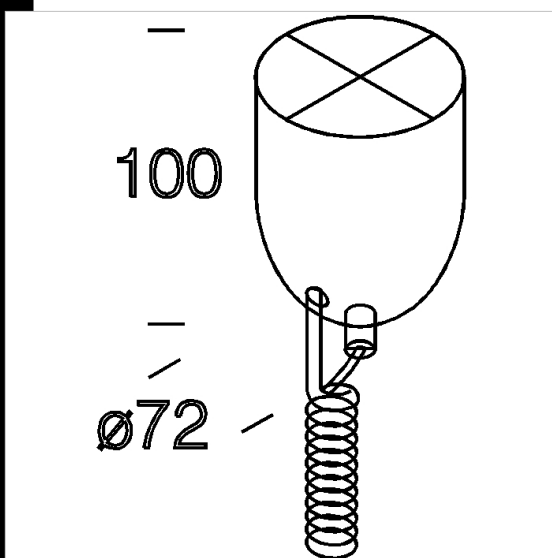


### Attacco a sospensione elettrificata

Cavetto in acciaio (l=1,5m), dispositivo per regolazione millimetrica e cavo di alimentazione (max 2000W). Carico max: kg 20.

**Download**

DXF 2D  
- v\_003187.dxf



Code	Kg	WTot	Colour
22003187-00	0,30	0 W	BIANCO
22003107-00	0,36	0 W	NERO

**Prodotti**



- Omnitrack 3 accensioni



- Gi Otto 4 x ar111 Sospensione

The reported luminous flux is the flux emitted by the light source with a tolerance of ± 10% compared to the indicated value. The W tot column indicates the total wattage absorbed by the system without exceeding 10% of the indicated