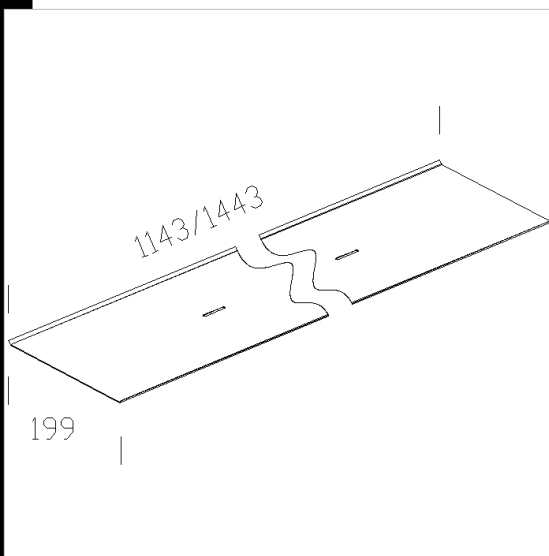
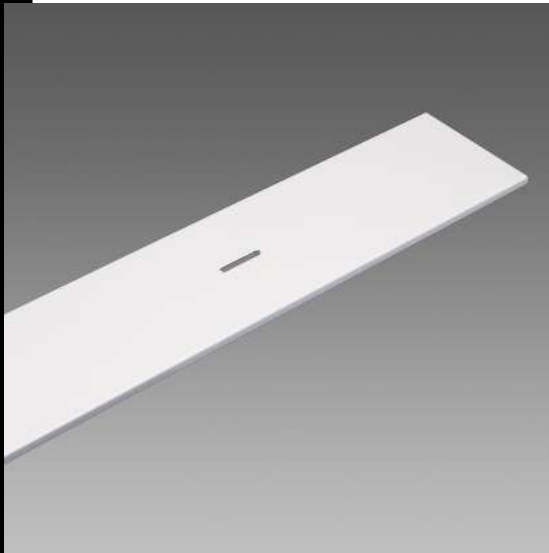


526 Copertura superiore - Zenith

Per realizzare apparecchi a luce diretta.

Download

DXF 2D
- 526.dxf



Code	Kg	Lumen-K-CRI	WTot	Colour
145690-00	1,44	28---	0 W	BIANCO
145691-00	1,44	35/49---	0 W	BIANCO

Prodotti



- 3845 Zenith T5 - con diffusore



- 3843 Zenith T5 - ottica

The reported luminous flux is the flux emitted by the light source with a tolerance of $\pm 10\%$ compared to the indicated value. The W tot column indicates the total wattage absorbed by the system without exceeding 10% of the indicated