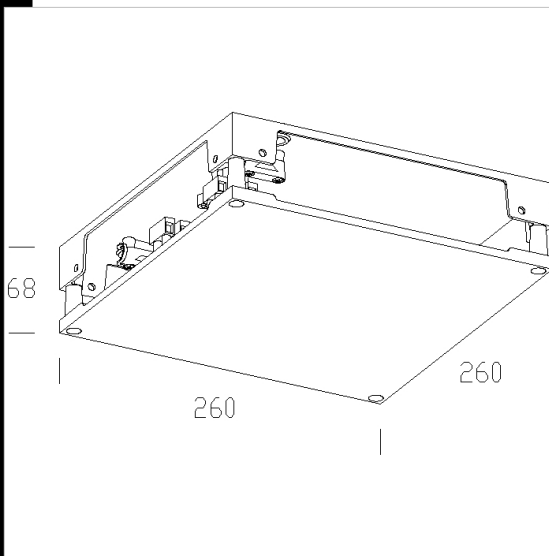


523 Cubo semplice

In alluminio pressofuso. Utilizzare sempre con acc. 524 per chiudere le testate del cubo oppure usare acc. 527 per fila continua.

Download

DXF 2D
- 523.dxf



Code	Kg	WTot	Colour
145686-00	1,08	0 W	BIANCO
145685-00	1,06	0 W	GREY

Prodotti



- 3845 Zenith T5 - con diffusore



- 3843 Zenith T5 - ottica

The reported luminous flux is the flux emitted by the light source with a tolerance of $\pm 10\%$ compared to the indicated value. The W tot column indicates the total wattage absorbed by the system without exceeding 10% of the indicated