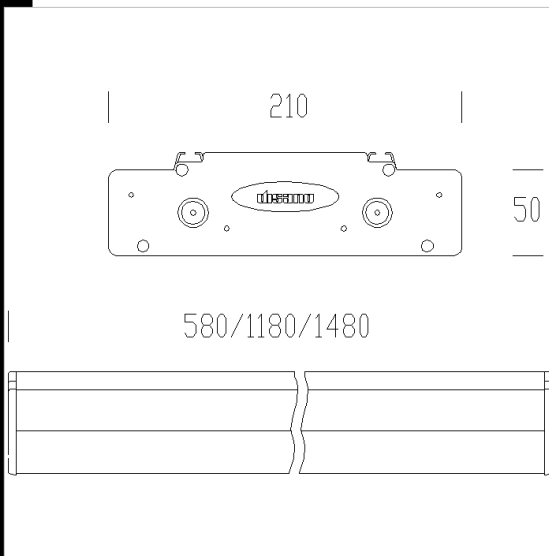


**Download**

DXF 2D  
- 395-396.dxf



Code	Kg	Lumen-K-CRI	WTot	Colour
145078-00	2,50	28---	0 W	BIANCO
145088-00	3,20	35/49---	0 W	ARGENTO SABBIATO
145084-00	1,50	14---	0 W	BIANCO
145086-00	1,50	14---	0 W	ARGENTO SABBIATO
145079-00	3,20	35/49---	0 W	BIANCO
145087-00	2,60	28---	0 W	ARGENTO SABBIATO

**Prodotti**



- 3874 Channel 2 T5



- 3873 Channel 1 T5

The reported luminous flux is the flux emitted by the light source with a tolerance of  $\pm 10\%$  compared to the indicated value. The W tot column indicates the total wattage absorbed by the system without exceeding 10% of the indicated