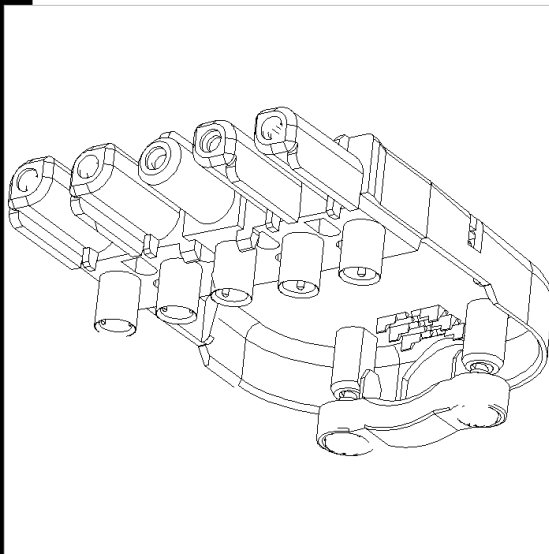
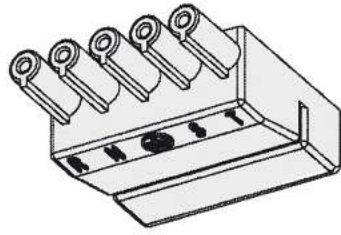


6091 alimentazione

Da utilizzare sempre per l'alimentazione del canale. Conduttori di sezione max ammessa 2.5 mm².

Download

DXF 2D
- d6091.dxf



Code	Kg	WTot	Colour
132947-00	0,02	0 W	BIANCO

The reported luminous flux is the flux emitted by the light source with a tolerance of $\pm 10\%$ compared to the indicated value. The W tot column indicates the total wattage absorbed by the system without exceeding 10% of the indicated