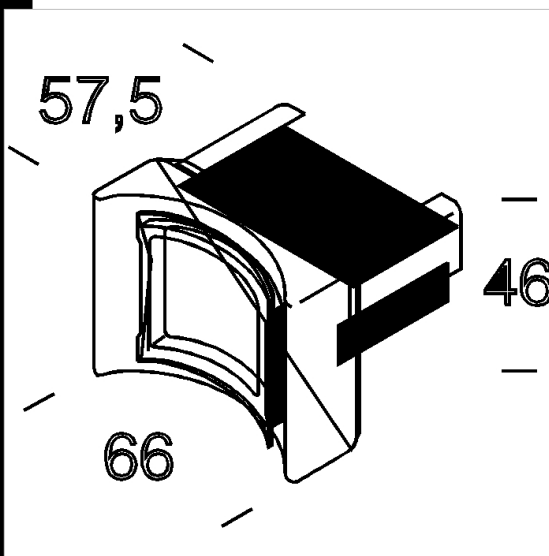
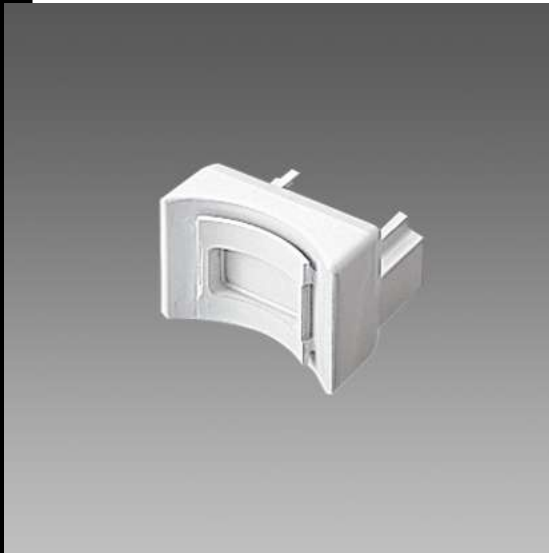


6019 Testata giunto circolare

In pressofusione di alluminio.  
Da accoppiare all'acc. 6018.

Download

DXF 2D  
- d6019.dxf



Code	Kg	WTot	Colour
132926-00	0,42	0 W	BIANCO

Prodotti



- 6000 Rapid System - canale

The reported luminous flux is the flux emitted by the light source with a tolerance of  $\pm 10\%$  compared to the indicated value. The W tot column indicates the total wattage absorbed by the system without exceeding 10% of the indicated