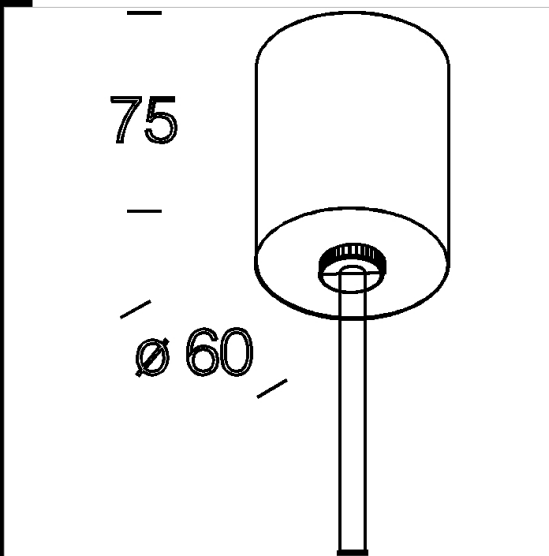


6090 Rosone

In materiale termoplastico nero, completo di accessori.  
Permette la sospensione del cassonetto acc. 6080.  
Da usarsi in abbinamento con l'acc. 6095.



Code	Kg	WTot	Colour
132918-00	0,13	0 W	NERO

Prodotti



- 6000 Rapid System - canale

Download

DXF 2D  
- d6090.dxf

The reported luminous flux is the flux emitted by the light source with a tolerance of  $\pm 10\%$  compared to the indicated value. The W tot column indicates the total wattage absorbed by the system without exceeding 10% of the indicated