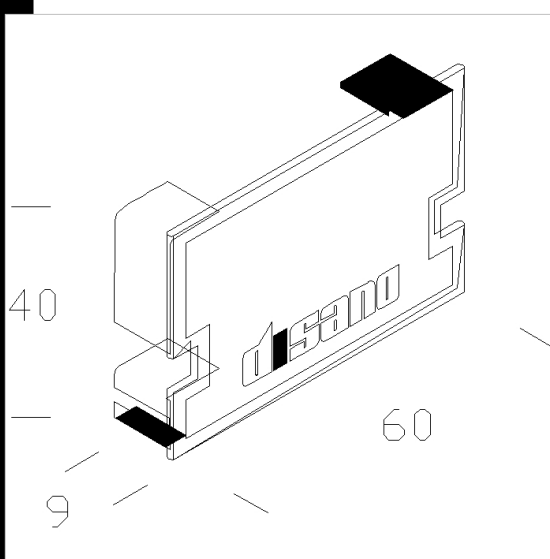
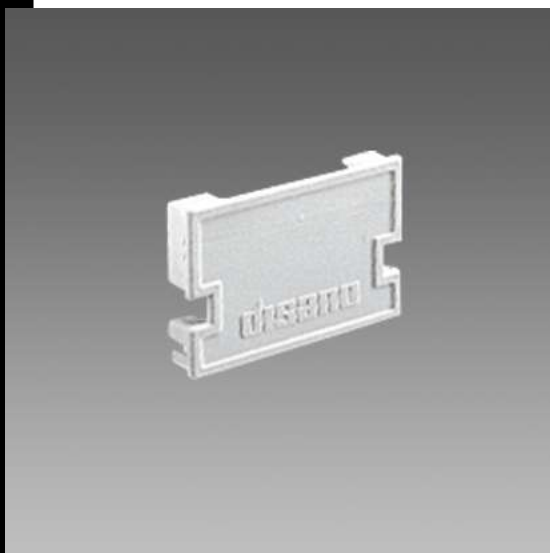


6045 Testatina di chiusura

In materiale termoplastico bianco. Consente la chiusura della parte finale del canale

Download

DXF 2D
- d6045.dxf



Code	Kg	WTot	Colour
132909-00	0,01	0 W	BIANCO

Prodotti

	- 6000 Rapid System - canale		- 6502 Rapid system -		- 6402 Rapid system -		- 6600 Techno System -
	- 6601 Techno System - asimmetrico 25° - CRI 90		- 6602 Techno System - bi-asimmetrico 25° - CRI 90		- 6603 Techno System - ellittica 30°x80° - CRI 90		- 6604 Techno System - diffusore 60° - CRI 90
	- 6605 Techno System - diffusore emisferico diffusore - CRI 90		- 6600 Techno System - simmetrico 90° - CRI 80		- 6601 Techno System - asimmetrico 25° - CRI 80		- 6602 Techno System - bi-asimmetrico 25° - CRI 80
	- 6603 Techno System - ellittica 30°x80° - CRI 80		- 6606 Techno System HE - UGR - CRI 80		- 6605 Techno System - con diffusore emisferico - diffusore - Platone		- 6611 Techno System HE - simmetrico 90° - CRI 80
	- 6615 Techno System HE -		- 6614 Techno System HE -		- 6612 Techno System HE -		- 6613 Techno System HE - bi-
	- 6616 Techno System HE - diffusore emisferico diffusore - CRI 80		- 6617 Techno System HE - simmetrico Opale 90° - CRI 80				

The reported luminous flux is the flux emitted by the light source with a tolerance of $\pm 10\%$ compared to the indicated value. The W tot column indicates the total wattage absorbed by the system without exceeding 10% of the indicated