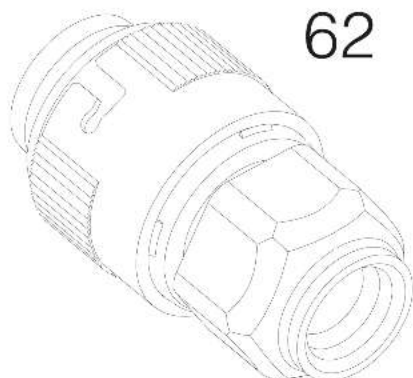
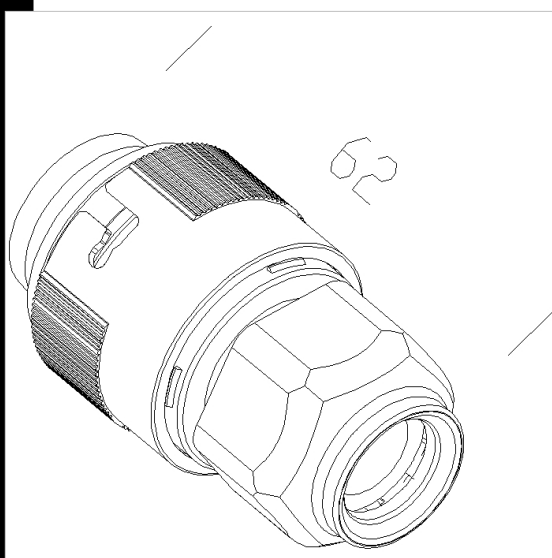


Download

DXF 2D
- 372.dxf



Always to be used for continuous line with wire. Cable gland with inlet cable 16A min. ø 9 max ø12 mm. 10 per pack.
998046-00: EM version.



Code	Kg	WTot	Colour
998042-00	0,03	0 W	GRIS
998046-00	0,04	0 W	GRIS

Prodotti



The reported luminous flux is the flux emitted by the light source with a tolerance of ± 10% compared to the indicated value. The W tot column indicates the total wattage absorbed by the system without exceeding 10% of the indicated

Prodotti



- 957 Echo FS - bilampe LED - High Performance



- 960 Hydro LED - Money Saving



- 963 Hydro LED - High Performance



- 963 Hydro LED - High Performance - FS



- 927 Echo - bilampe LED - RADAR SENSOR



- 970 Thema - LED



- 963 Hydro LED - HP - Winer



- 971 Ottima - High Performance



- 960 Hydro T5 - avec connecteur



- 957 Echo HE - module simple LED - HE

The reported luminous flux is the flux emitted by the light source with a tolerance of $\pm 10\%$ compared to the indicated value. The W tot column indicates the total wattage absorbed by the system without exceeding 10% of the indicated