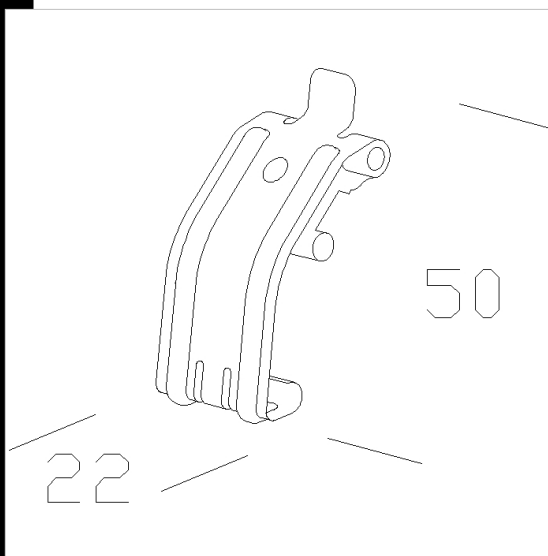
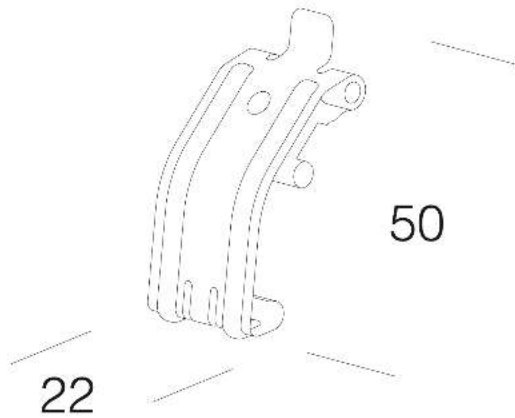


Download

DXF 2D
- 461.dxf



Code	Kg	WTot	Colour
997317-00	0,10	0 W	INOX
997316-00	0,10	0 W	INOX
997315-00	0,08	0 W	INOX

Prodotti



- 923 Hydro T5 FS



- 921 Hydro T8 EL



- 959 Hydro - avec connecteur



- 921 Hydro T5



- 960 Hydro T5 - avec connecteur

The reported luminous flux is the flux emitted by the light source with a tolerance of $\pm 10\%$ compared to the indicated value. The W tot column indicates the total wattage absorbed by the system without exceeding 10% of the indicated