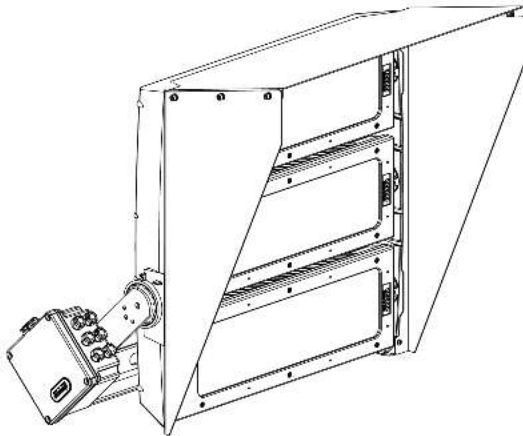


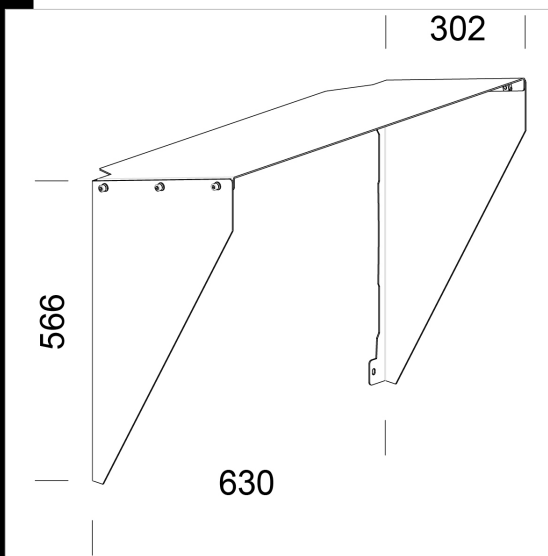
482 Déflecteurs antiébl 3mod

En acier. Permet de masquer le faisceau lumineux.



Download

DXF 2D  
- 483.dxf



| Code      | Kg   | WTot |
|-----------|------|------|
| 995786-00 | 3,12 | 0 W  |

Prodotti

|  |  |  |   |  |  |  |  |
|--|--|--|---|--|--|--|--|
|  | - 2192 Forum LED - 2 modules -               |  | - 2196 Forum LED - 2 modules -                |  | - 2195 Forum LED - 2 modules -                 |  | - 2197 Forum LED - 2 modules -           |
|  | - 2190 Forum LED - 2 modules - symétrique MS |  | - 2193 Forum LED - 2 modules - symétrique XW  |  | - 2191 Forum LED - 2 modules - symétrique M    |  | - 2198 Forum HE - 2 modules - symétrique |
|  | - 2199 Forum HE - 2 modules - asymétrique    |  | - 2200 Forum HE - 2 modules - asymétrique 50° |  | - 2194 Forum LED - 2 modules - asymétrique 60° |  | - 3230 Forum type B_old                  |
|  | - 3231 Forum type B_old                      |  | - 3192 Forum type B_old                       |  | - 3232 Forum type B_old                        |  | - 3195 Forum type B_old                  |
|  | - 3196 Forum type B_old                      |  | - 3198 Forum type B_old                       |  | - 3230 Forum type A_old                        |  | - 3231 Forum type A_old                  |
|  | - 3192 Forum type A_old                      |  | - 3232 Forum type A_old                       |  | - 3195 Forum type A_old                        |  | - 3196 Forum type A_old                  |
|  | - 3198 Forum type A_old                      |  | - 3230 Forum WICOP_old                        |  | - 3231 Forum type C_old                        |  | - 3192 Forum type C_old                  |

The reported luminous flux is the flux emitted by the light source with a tolerance of  $\pm 10\%$  compared to the indicated value. The W tot column indicates the total wattage absorbed by the system without exceeding 10% of the indicated

482 Déflecteurs antiébl 3mod

Prodotti



- 3232 Forum type C\_old



- 3195 Forum type C\_old



- 3196 Forum type C\_old



- 3198 Forum type C\_old

The reported luminous flux is the flux emitted by the light source with a tolerance of  $\pm 10\%$  compared to the indicated value. The W tot column indicates the total wattage absorbed by the system without exceeding 10% of the indicated