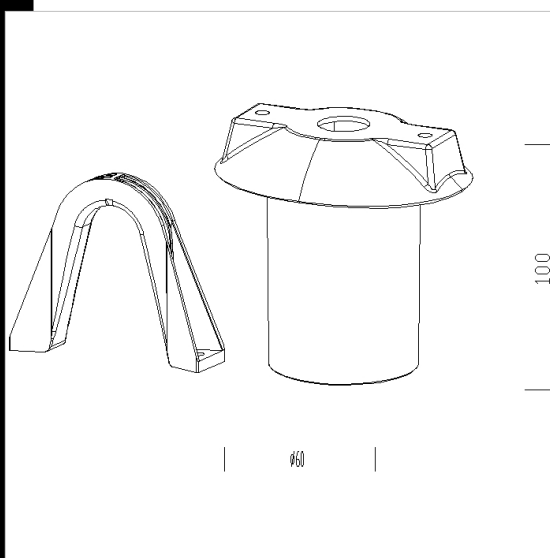
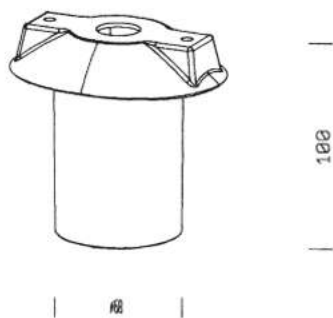


307 fixation en suspension

En aluminium. A utiliser pour l'installation en suspension des art. 1770/71/72.

Download
DXF 2D
- acc 307 .dxf



Code	Kg	WTot	Colour
993920-00	0,00	0 W	ARGENTO SAB.
993928-00	0,31	0 W	GRAPHITE

Prodotti



- 1770 Lanterna 2 - avec



- 1771 Lanterna 2 - avec

The reported luminous flux is the flux emitted by the light source with a tolerance of $\pm 10\%$ compared to the indicated value. The W tot column indicates the total wattage absorbed by the system without exceeding 10% of the indicated