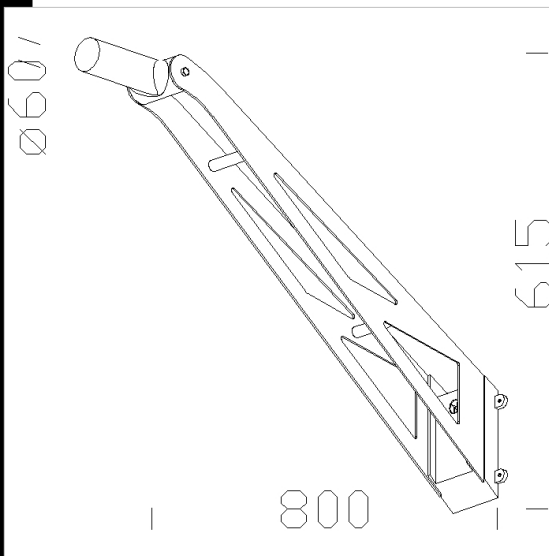


466 bras

Bras pour candélabre. A utiliser avec le candélabre art. 1492/1494.

Download

- DXF 2D
- 466.dxf
- 3DS
- disano\_466.3ds
- 3DM
- disano\_466.3dm



Code	Kg	WTot	Colour
991412-00	6,00	0 W	ARGENT SABLÉ

Prodotti



- 1755 Monza - avec verre plat



- 1756 Monza HP - high



- 3185 Sforza Ø500



- 3187 Sforza Ø600



- 1756 Monza FX

The reported luminous flux is the flux emitted by the light source with a tolerance of  $\pm 10\%$  compared to the indicated value. The W tot column indicates the total wattage absorbed by the system without exceeding 10% of the indicated