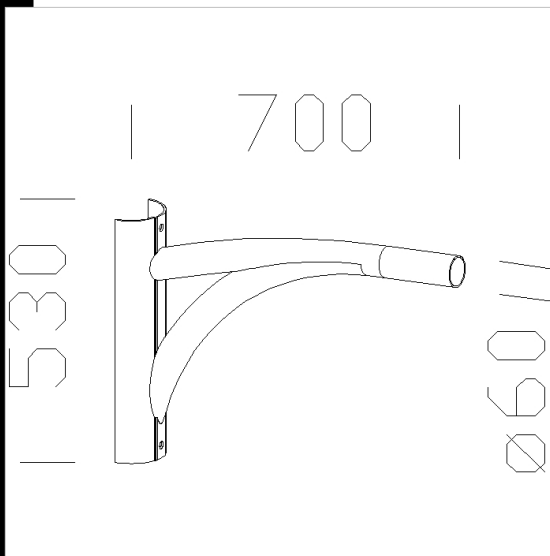


406 bras Aliante court

En acier. Permet l'application sur candélabre pour éclairage routier.



Download

- DXF 2D
- 406.dxf
- 3DS
- disano_406_aliante.3ds
- 3DM
- disano_406_aliante.3dm
- Montaggi
- 1475-1476-400-405-406 01-11.pdf

Code	Kg	WTot	Colour
991388-00	11,00	0 W	GRAPHITE
991387-00	11,00	0 W	GREY9007

Pall



- 1475 candélabre "Aliante" avec



- 1475 candélabre "Aliante" a

Prodotti



- 1751 Metropolis intensif



- 1244 Torpedo pour piste cyclable



- 1581 Volo - Street optic



- 1582 Volo - extensif



- 1572 Volo pour piste cyclable



- 1580 Volo - asymétrique



- 1755 Monza - avec verre plat



- 1752 Metropolis extensif



- 1240 Torpedo



- 1756 Monza HP - high performance



- 3185 Sforza Ø500



- 3187 Sforza Ø600



- 1753 Metropolis pistes cyclables



- 1573 Volo LED faisceau large



- 1593 Volo LED - pour piste cyclable



- 1750 Metropolis



- 3752 Metropolis - LED



- 3751 Metropolis - LED - extensif



- 1756 Monza FX

The reported luminous flux is the flux emitted by the light source with a tolerance of $\pm 10\%$ compared to the indicated value. The W tot column indicates the total wattage absorbed by the system without exceeding 10% of the indicated