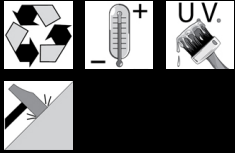


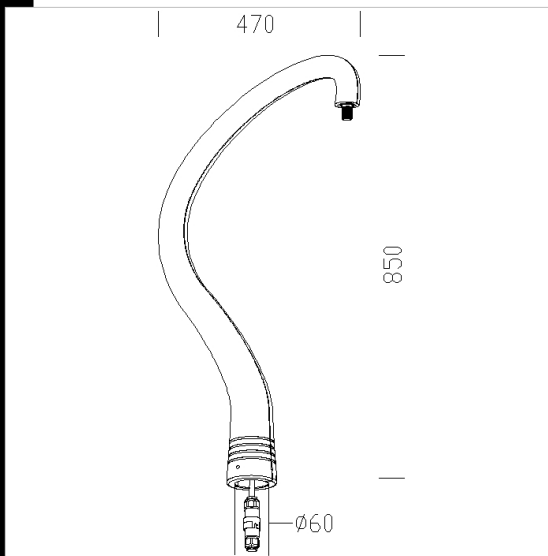
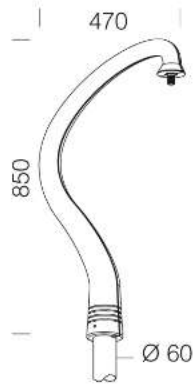
512 Bars

En aluminium avec connecteur



Download

DXF 2D
- 512.dxf



Code	Kg	WTot	Colour
991287-00	5,65	0 W	GREY9007

Prodotti



The reported luminous flux is the flux emitted by the light source with a tolerance of ± 10% compared to the indicated value. The W tot column indicates the total wattage absorbed by the system without exceeding 10% of the indicated