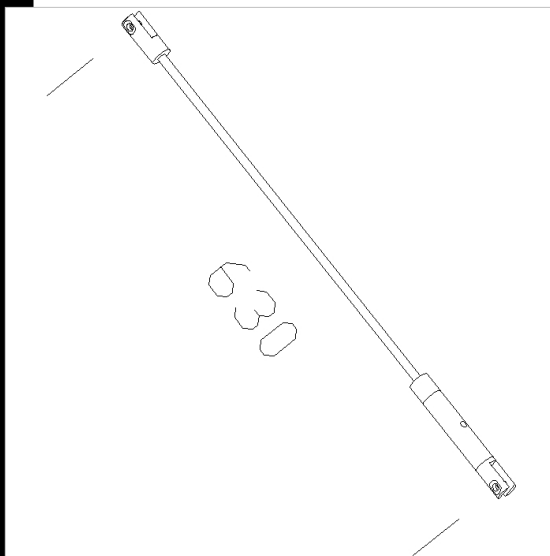
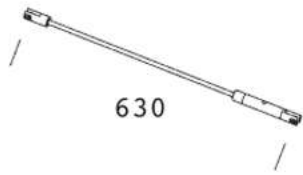


Download
DXF 2D
- acc_215.dxf



Code	Kg	WTot	Colour
426960-00	0,24	0 W	ACIER

Prodotti



- 1751 Metropolis intensif



- 1752 Metropolis estensif



- 1756 Monza HP - high



- 1753 Metropolis pistes



- 3182 Sforza Ø500 - passages pour piétons gauche



- 3184 Sforza Ø500 - passages pour piétons droit



- 1750 Metropolis



- 3189 Sforza Ø500



- 1756 Monza FX

The reported luminous flux is the flux emitted by the light source with a tolerance of $\pm 10\%$ compared to the indicated value. The W tot column indicates the total wattage absorbed by the system without exceeding 10% of the indicated