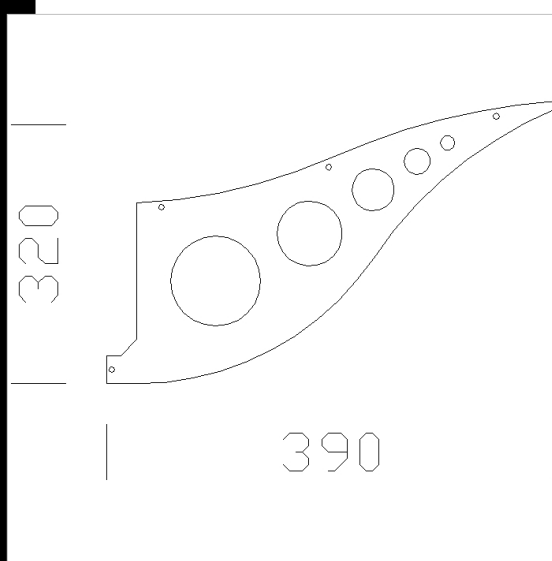
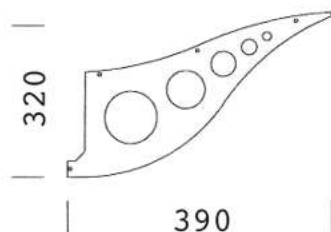


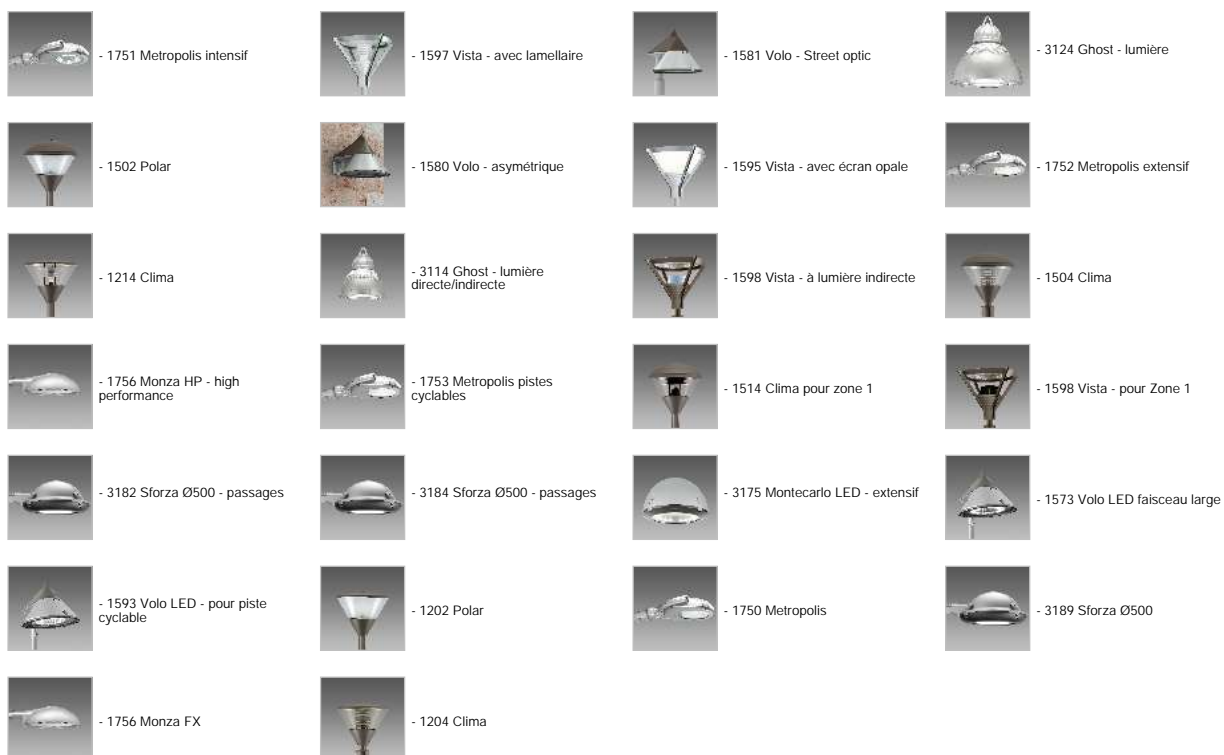
Download

- DXF 2D
- acc_214.dxf
- 3DS
- disano_214.3ds
- 3DM
- disano_214.3dm



Code	Kg	WTot	Colour
426958-00	1,00	0 W	GREY9007

Prodotti



The reported luminous flux is the flux emitted by the light source with a tolerance of ± 10% compared to the indicated value. The W tot column indicates the total wattage absorbed by the system without exceeding 10% of the indicated