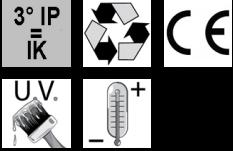


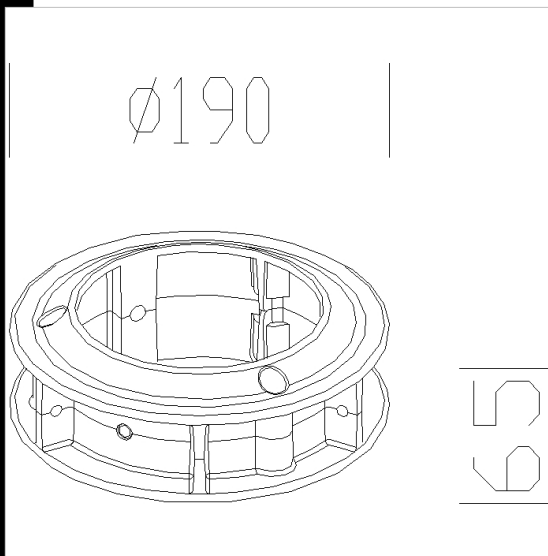
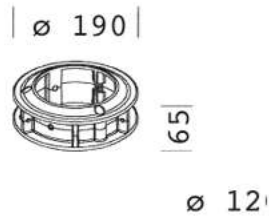
212 Anello giunzione

A utiliser avec l'acc. 214/215



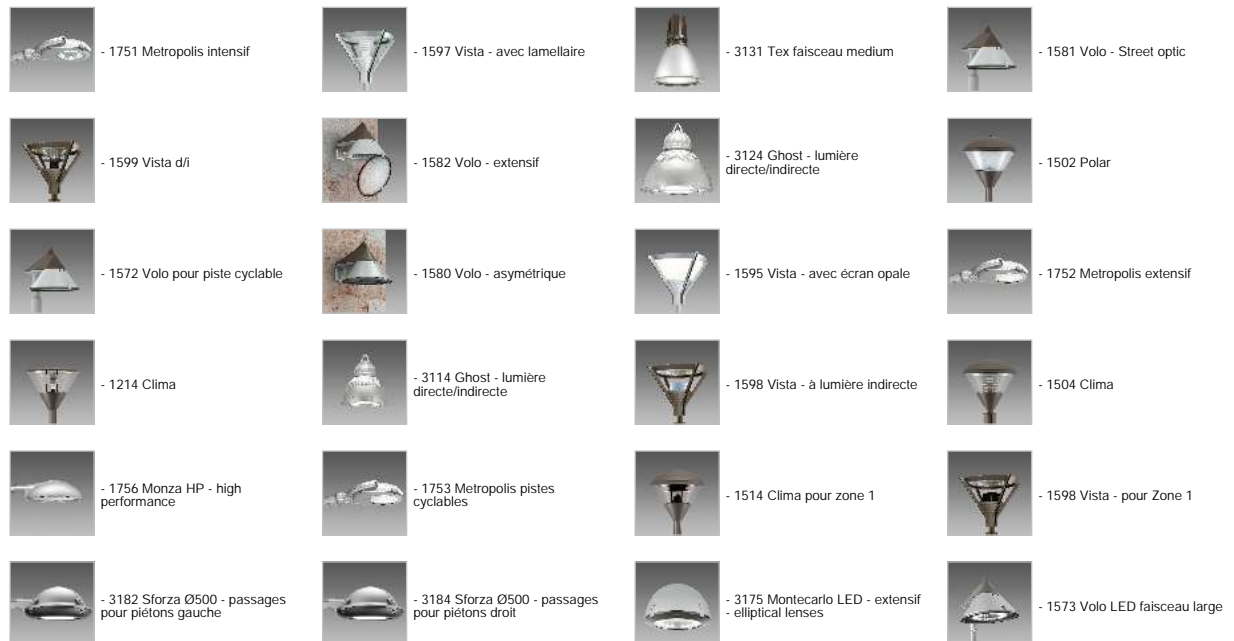
Download

- DXF 2D
- acc_212.dxf
- 3DS
- disano_212.3ds
- 3DM
- disano_212.3dm



Code	Kg	WTot	Colour
426954-00	0,93	0 W	GREY9007
426955-00	0,93	0 W	GRAPHITE

Prodotti



The reported luminous flux is the flux emitted by the light source with a tolerance of ± 10% compared to the indicated value. The W tot column indicates the total wattage absorbed by the system without exceeding 10% of the indicated

212 Anello giunzione

Prodotti



- 1593 Volo LED - pour piste cyclable



- 1202 Polar



- 1750 Metropolis



- 3189 Sforza Ø500



- 1756 Monza FX



- 1204 Clima

The reported luminous flux is the flux emitted by the light source with a tolerance of $\pm 10\%$ compared to the indicated value. The W tot column indicates the total wattage absorbed by the system without exceeding 10% of the indicated