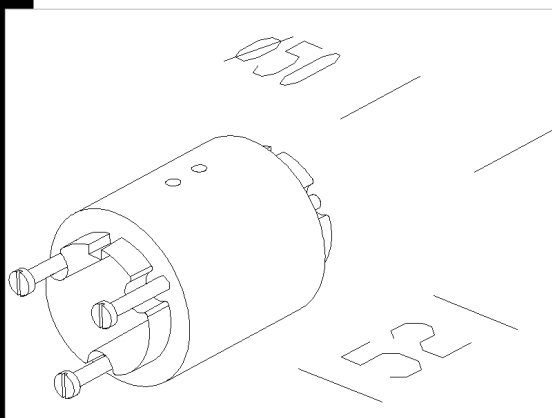


Giunto lineare "S" Omnitrack

In acciaio e nylon f.v. Per la sospensione la rotazione sul proprio asse e la giunzione a "L" della struttura.



Code	Kg	WTot	Colour
22271530-00	0,15	0 W	NOIR
22271572-00	0,16	0 W	ARGENT

Prodotti



- Structure Omnitrack

Download

DXF 2D
- 2711.dxf

The reported luminous flux is the flux emitted by the light source with a tolerance of $\pm 10\%$ compared to the indicated value. The W tot column indicates the total wattage absorbed by the system without exceeding 10% of the indicated