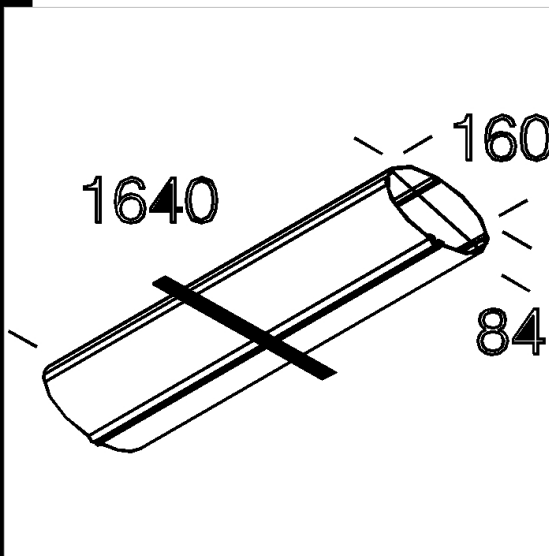


Download
DXF 2D
- v_235216.dxf



Module structurel

Avec couvercle. Pour ligne continue, ajouter joint linéaire et calotte d'extrémité.



Code	Kg	WTot	Colour
22235276-00	3,75	0 W	GRIS
22235216-00	3,75	0 W	BLANC
22235266-00	3,75	0 W	ARGENT

The reported luminous flux is the flux emitted by the light source with a tolerance of $\pm 10\%$ compared to the indicated value. The W tot column indicates the total wattage absorbed by the system without exceeding 10% of the indicated