



Store 4

The STORE a new beam optic unit has been created with CDM and/or AR111 lamps.

Installation has been improved too, by a springs system, making recessed installation faster and easier.

Coating: Fluid-coated with a humidity resistant, UV-stabilised acrylic-resin paint, interior part is black and the border is white .

Lampholder: Ceramic with silver-plated contacts.

Electric gear: Equipped without transformer and silicon cable, cross section 0.75 mm².

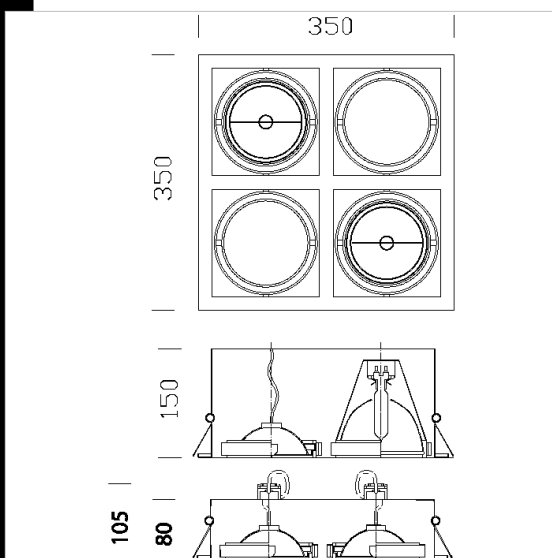
Equipment: Supplied with springs ensuring perfect adherence to 1 to 25 mm thick false ceilings.

Terminal block: maximum allowed lead cross section 1,5mm²

Lamp: Complete with halogen lamps and/or ceramic metal halide lamp.

Regulations: Manufactured in accordance with EN 60598-1-CEI 34-21 standards. Degree of protection in accordance with EN60529 standard.

Download
DXF 2D
- 181311a.dxf



Code	Gear	Kg	Watt	Base	Lamps	Colour
22181310-00	S+L	3,10	4xAR111 75W	G53	860lm-3000K-Ra 100	BLANC
22181312-00	CELL	4,27	4xCDM-T 70W	G12	6700lm-3000K-Ra 1b	BLANC
22181311-00	CTL+CELL	4,80	AR111 2x75W + CDM-T 2x70W	G53+G12	--	BLANC