

Télécharger

DXF 2D  
- 181212.dxf



## Store 2 - AR111

The STORE a new beam optic unit has been created with CDM and/or AR111 lamps.

Installation has been improved too, by a springs system, making recessed installation faster and easier.

Coating: Fluid-coated with a humidity resistant, UV-stabilised acrylic-resin paint, interior part is black and the border is white .

Lampholder: Ceramic with silver-plated contacts.

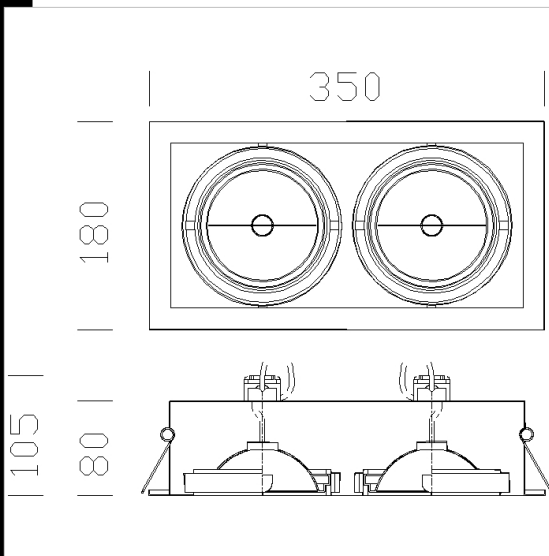
Electric gear: Equipped without transformer and silicon cable, cross section 0.75 mm<sup>2</sup>.

Equipment: Supplied with springs ensuring perfect adherence to 1 to 25 mm thick false ceilings.

Terminal block: maximum allowed lead cross section 1,5mm<sup>2</sup>.

Lamp: Complete with halogen lamps and/or ceramic metal halide lamp.

Regulations: Manufactured in accordance with EN 60598-1-CEI 34-21 standards. Degree of protection in accordance with EN60529 standard.



Code	Cablage	Kg	Lumen-K-CRI	WTot	Fixation	Couleur
22181212-00	S+L	1.50	AR111 2x75-5300cd-3000K-Ra 100	150 W	G53	BIANCO
22181272-00	S+L	1.50	AR111 2x75-5300cd-3000K-Ra 100	150 W	G53	ARGENTO

Le flux lumineux mentionné est le flux lumineux sortant du luminaire, avec une tolérance de  $\pm 10\%$  par rapport à la valeur indiquée. Les W totaux expriment la puissance totale consommée par le système avec une tolérance maximale de 10 %