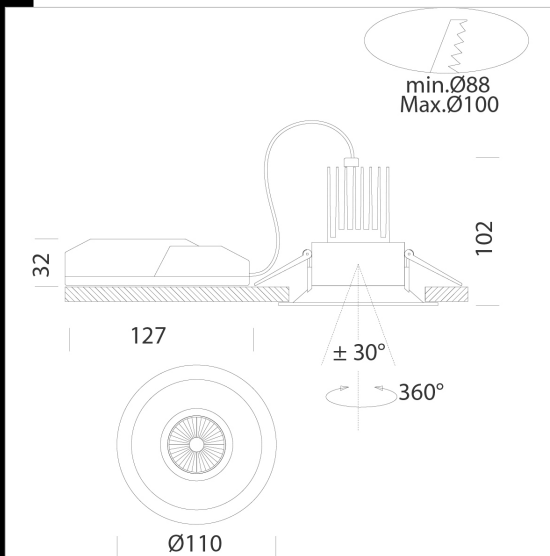


iSpot Architectural 1

Corps: en aluminium moulé sous pression
 Lentille : en PMMA, haute performance avec facteur d'éblouissement très faible.
 Normes: produit conforme aux normes EN60598 - CEI 34-21 et ayant un indice de protection IP44IK07 selon les normes EN60529.
 Groupe de risque photobiologique : Groupe 0 (exempt de risque).
 Facteur de puissance: $\geq 0,9$
 Maintien du flux lumineux à 80%: 50.000h (L80B20).
 encastrée Ø 88/100mm



Code	Gear	Kg	Lumen Output-K-CRI	WTot	Colour
22167310-00	CLD CELL-DI	0,42	LED COB-957lm-3000K-60°-CRI 92	10 W	BIANCO
22167311-00	CLD CELL-DI	0,43	LED COB-990lm-4000K-60°-CRI 92	10 W	BIANCO
22167310-1241	CLD CELL-D-D	0,39	LED COB-957lm-3000K-60°-CRI 92	10 W	BIANCO
22167311-1241	CLD CELL-D-D	0,38	LED COB-990lm-4000K-60°-CRI 92	12 W	BIANCO
22167310-09	CLD CELL-DI-E	0,76	LED COB-957lm-3000K-60°-CRI 92	10 W	BIANCO
22167311-09	CLD CELL-DI-E	0,74	LED COB-990lm-4000K-60°-CRI 92	10 W	BIANCO
22167310-31	CLD CELL-DI-E	0,85	LED COB-957lm-3000K-60°-CRI 92	10 W	BIANCO
22167311-31	CLD CELL-DI-E	0,85	LED COB-990lm-4000K-60°-CRI 92	10 W	BIANCO

Download

DXF 2D
 - ispota11.dxf

Montaggi
 - ISPOT_ARCHITECTURAL_1-2
 REV1.pdf

The reported luminous flux is the flux emitted by the light source with a tolerance of $\pm 10\%$ compared to the indicated value. The W tot column indicates the total wattage absorbed by the system without exceeding 10% of the indicated