

3° IP
IK

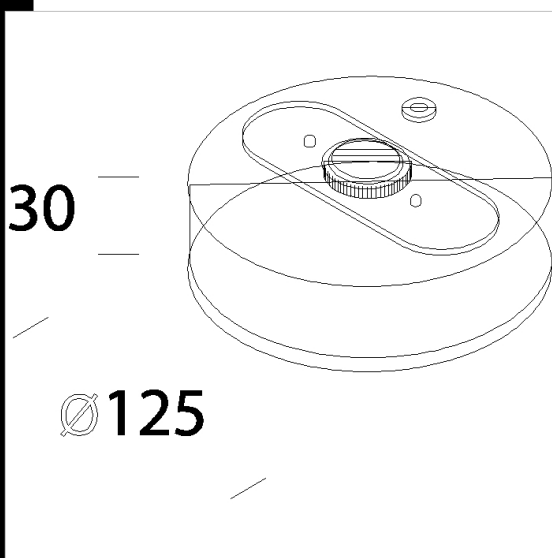
Download

DXF 2D
- 91410.dxf



Petite base

En aluminium moulé sous pression. Pour installation au mur ou au plafond.



| Code | Kg | WTot | Colour |
|-------------|------|------|--------|
| 22091410-00 | 0,35 | 0 W | BLANC |
| 22091470-00 | 0,35 | 0 W | ARGENT |
| 22091430-00 | 0,35 | 0 W | NOIR |

Prodotti



- Gotham CDM-R



- Trial-one ceramic



- Zoom 1



- Gotham MASTERLED AR111



- Zoom 2



- Trial LED - COB



- Gotham LED111



- Gotham VIVID



- Gotham



- Gotham CDM-T elite

The reported luminous flux is the flux emitted by the light source with a tolerance of $\pm 10\%$ compared to the indicated value. The W tot column indicates the total wattage absorbed by the system without exceeding 10% of the indicated