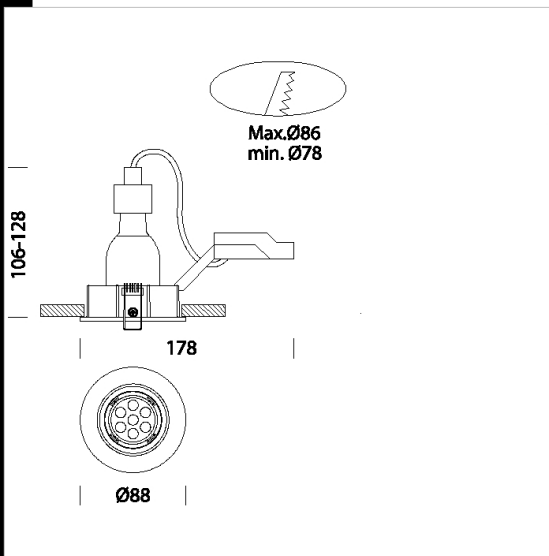


Swing LED

Corps: en aluminium orientable avec des ressorts.
 Peinture: pulvérisation avec peinture polyester résistant aux rayons UV.
 Normes: appareils conformes aux normes EN 60598-1 CEI 34-21 Indice de protection conforme aux normes EN 60529.
 Durée de vie 25.000h 70% L70B50.
 Facteur de puissance >0,8
 Groupe de risque photobiologique: Groupe 0 (exempt de risque)
 encastrée Ø 78/86mm



Code	Gear	Kg	Lumen Output-K-CRI	WTot	Base	Colour
22068210-00	CLD CELL	0,25	LED SMD-500lm-3000K-38°-CRI 80	6 W		BLANC
22068270-00	CLD CELL	0,25	LED SMD-500lm-3000K-38°-CRI 80	6 W		BLANC
22068215-00	CLD CELL	0,25	LED SMD-535lm-4000K-38°-CRI 80	6 W		BLANC
22068275-00	CLD CELL	0,25	LED SMD-535lm-4000K-38°-CRI 80	6 W		BLANC
22068211-00	CLD CELL-DI	0,25	LED SMD-500lm-3000K-38°-CRI 80	6 W		BLANC
22068271-00	CLD CELL-DI	0,27	LED SMD-500lm-3000K-38°-CRI 80	6 W		BLANC
22068217-00	CLD CELL-DI	0,25	LED SMD-535lm-4000K-38°-CRI 80	6 W		BLANC
22068277-00	CLD CELL-DI	0,27	LED SMD-535lm-4000K-38°-CRI 80	6 W		BLANC
22068272-00	CLD CELL	0,25	LED-600lm-3000K-36°-CRI 80	6 W	GU10	BLANC
22068212-00	CLD CELL	0,27	LED-600lm-3000K-36°-CRI 80	8 W	GU10	BLANC
22068313-00	CLD CELL-DI	0,24	LED COB-600lm-3000K-38°-CRI 80	6 W	GU10	BLANC
22068373-00	CLD CELL-DI	0,25	LED COB-600lm-3000K-38°-CRI 80	6 W	GU10	BLANC
22068214-00	CLD CELL	0,70	LED SMD-800lm-3000K-38°-CRI 80	9 W		BLANC
22068274-00	CLD CELL	0,25	LED SMD-800lm-3000K-38°-CRI 80	9 W		BLANC
22068216-00	CLD CELL	0,70	LED SMD-856lm-4000K-38°-CRI 80	9 W		BLANC
22068276-00	CLD CELL	0,25	LED SMD-856lm-4000K-38°-CRI 80	9 W		BLANC

The reported luminous flux is the flux emitted by the light source with a tolerance of ± 10% compared to the indicated value. The W tot column indicates the total wattage absorbed by the system without exceeding 10% of the indicated