

Download

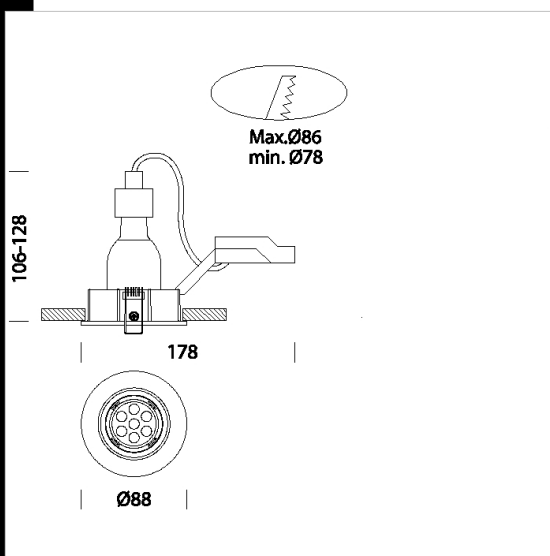
DXF 2D
- swing.dxf

Montaggi
- SWING rev2.pdf



Swing LED

Corps: en aluminium orientable avec des ressorts.
Peinture: pulvérisation avec peinture polyester résistant aux rayons UV.
Normes: appareils conformes aux normes EN 60598-1 CEI 34-21 Indice de protection conforme aux normes EN 60529.
Durée de vie 25.000h 70% L70B50.
Facteur de puissance >0,8
Groupe de risque photobiologique: Groupe 0 (exempt de risque)
encastrée Ø 78/86mm



Code	Gear	Kg	Lumen Output-K-CRI	WTot	Colour
22068210-00	CLD	0,25	LED SMD-500lm-3000K-38°-CRI 80	6 W	BLANC
22068270-00	CLD	0,25	LED SMD-500lm-3000K-38°-CRI 80	6 W	BLANC
22068215-00	CLD	0,24	LED SMD-535lm-4000K-38°-CRI 80	6 W	BLANC
22068275-00	CLD	0,25	LED SMD-535lm-4000K-38°-CRI 80	6 W	BLANC
22068211-00	CLD-DI	0,25	LED SMD-500lm-3000K-38°-CRI 80	6 W	BLANC
22068271-00	CLD-DI	0,27	LED SMD-500lm-3000K-38°-CRI 80	6 W	BLANC
22068217-00	CLD-DI	0,25	LED SMD-535lm-4000K-38°-CRI 80	6 W	BLANC
22068277-00	CLD-DI	0,27	LED SMD-535lm-4000K-38°-CRI 80	6 W	BLANC
22068214-00	CLD	0,70	LED SMD-800lm-3000K-38°-CRI 80	9 W	BLANC
22068274-00	CLD	0,25	LED SMD-800lm-3000K-38°-CRI 80	9 W	BLANC
22068216-00	CLD	0,23	LED SMD-856lm-4000K-38°-CRI 80	9 W	BLANC
22068276-00	CLD	0,25	LED SMD-856lm-4000K-38°-CRI 80	9 W	BLANC

The reported luminous flux is the flux emitted by the light source with a tolerance of $\pm 10\%$ compared to the indicated value. The W tot column indicates the total wattage absorbed by the system without exceeding 10% of the indicated