

3° IP
IK

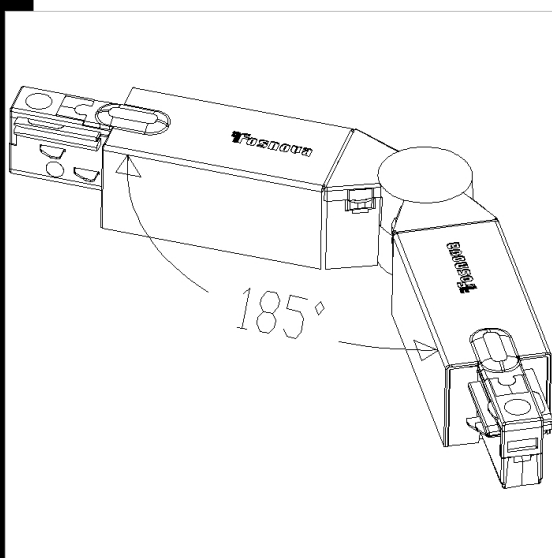
Download

DXF 2D
- 25117.dxf



Giunto circolare 2 vie

Consente la connessione elettrica e la giunzione con angoli variabili.



Code	Kg	WTot	Colour
22025171-00	0,22	0 W	GRIS
22025117-00	0,22	0 W	BLANC
22025138-00	0,22	0 W	NOIR

Prodotti



- Omnitrack 3 allumages



- Omnitrack with Cover

The reported luminous flux is the flux emitted by the light source with a tolerance of $\pm 10\%$ compared to the indicated value. The W tot column indicates the total wattage absorbed by the system without exceeding 10% of the indicated