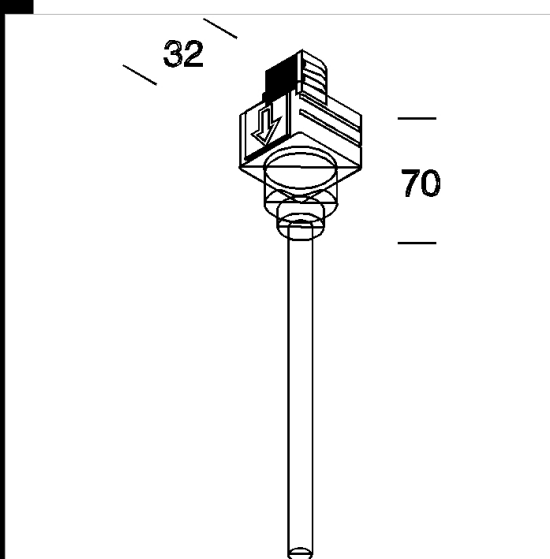


## Adaptateur

Maximum 6 A. En nylon f.v., auto-extinguible.



Code	Kg	WTot	Colour
22020127-00	0,04	0 W	NOIR
22024127-00	0,04	0 W	BLANC

### Prodotti



- Omnitrack encastrement

The reported luminous flux is the flux emitted by the light source with a tolerance of  $\pm 10\%$  compared to the indicated value. The W tot column indicates the total wattage absorbed by the system without exceeding 10% of the indicated