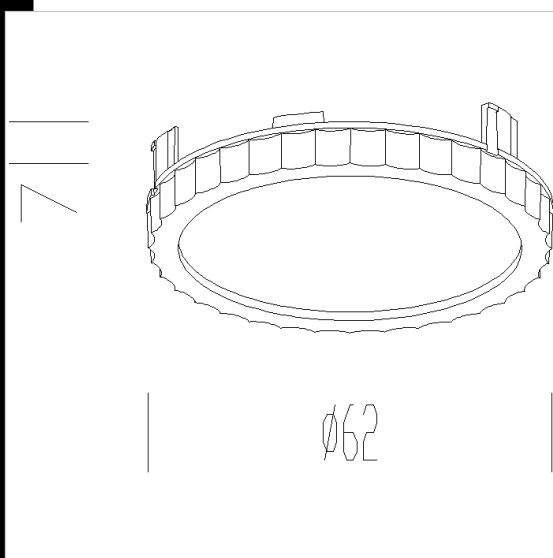




## Filtre pour cristallerie Gi Otto

Filtres spéciaux pour mettre en valeur les marchandises exposées.



Code	Kg	WTot
22005890-00	0,20	0 W

### Prodotti



- Gi Otto 4 x ar111 Suspension

### Download

DXF 2D  
- g8filt.dxf

The reported luminous flux is the flux emitted by the light source with a tolerance of  $\pm 10\%$  compared to the indicated value. The W tot column indicates the total wattage absorbed by the system without exceeding 10% of the indicated