

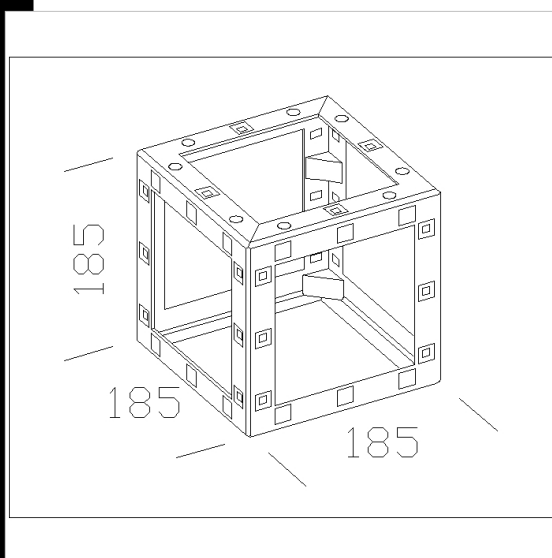
Download

DXF 2D
- 5474.dxf



Structure en "S"

Structure sans câblage et projecteur.



Code	Kg	WTot	Colour
22005474-00	0,90	0 W	ARGENT

Prodotti



- Compendio - COB



- Compendio AR simple



- Compendio



- Compendio sur rail

The reported luminous flux is the flux emitted by the light source with a tolerance of $\pm 10\%$ compared to the indicated value. The W tot column indicates the total wattage absorbed by the system without exceeding 10% of the indicated