

3° IP
IK

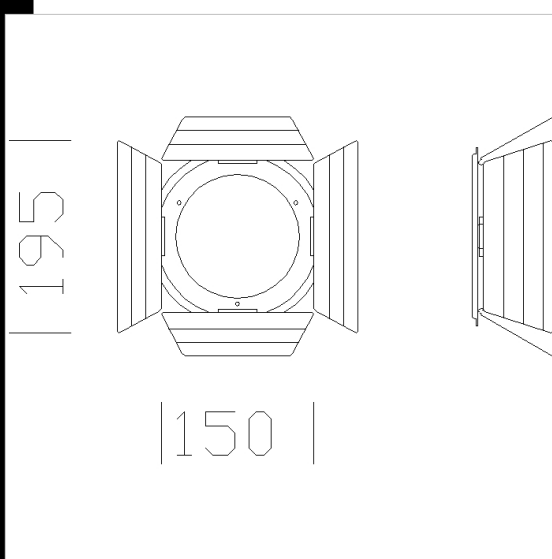
Download

DXF 2D
- deflett.dxf



Défecteurs antiébl. Ø 150

En acier. Permet de masquer le faisceau lumineux. Pour AR 111, E27, JMTS.



Code	Kg	WTot	Colour
22005220-00	0,50	0 W	BLANC
22005230-00	0,20	0 W	NOIR

Prodotti



- Cast "A+C+J" - Base



- Gotham

The reported luminous flux is the flux emitted by the light source with a tolerance of $\pm 10\%$ compared to the indicated value. The W tot column indicates the total wattage absorbed by the system without exceeding 10% of the indicated