

3° IP
IK

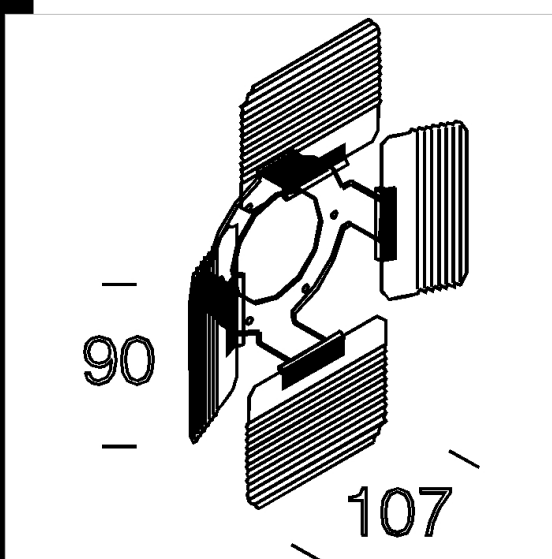
Download

DXF 2D
- v_005218.dxf



Défecteurs antiébl. et orienteurs

En acier. Permet de diriger le faisceau lumineux.



Code	Kg	WTot	Colour
22005218-00	0,00	0 W	BLANC
22005228-00	0,40	0 W	NOIR

Prodotti



- Matrix A2 MASTERLED



- Mini Leo 5 - Base



- Mini Leo 5 - Adapteur

The reported luminous flux is the flux emitted by the light source with a tolerance of $\pm 10\%$ compared to the indicated value. The W tot column indicates the total wattage absorbed by the system without exceeding 10% of the indicated