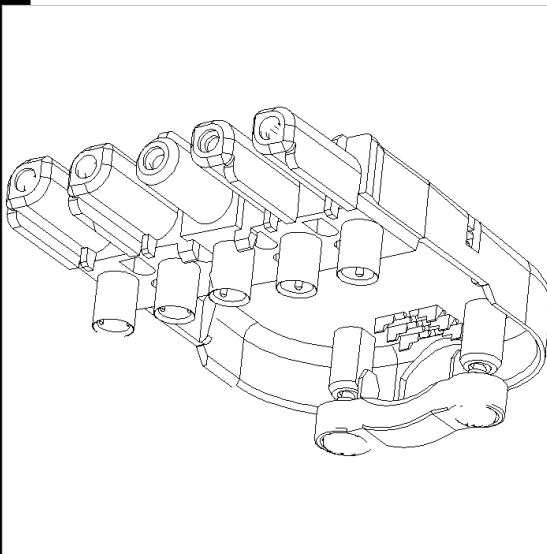
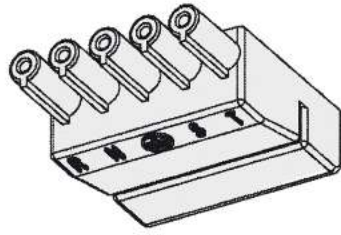


6091 alimenter

A utiliser pour alimenter la canale civile.

Download

DXF 2D  
- d6091.dxf



Code	Kg	WTot	Colour
132947-00	0,02	0 W	BLANC

The reported luminous flux is the flux emitted by the light source with a tolerance of  $\pm 10\%$  compared to the indicated value. The W tot column indicates the total wattage absorbed by the system without exceeding 10% of the indicated