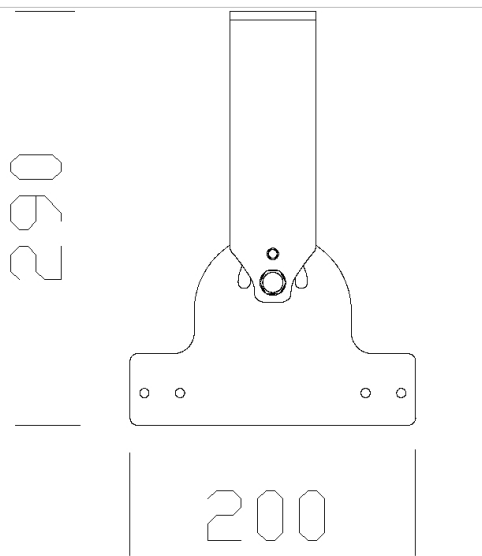
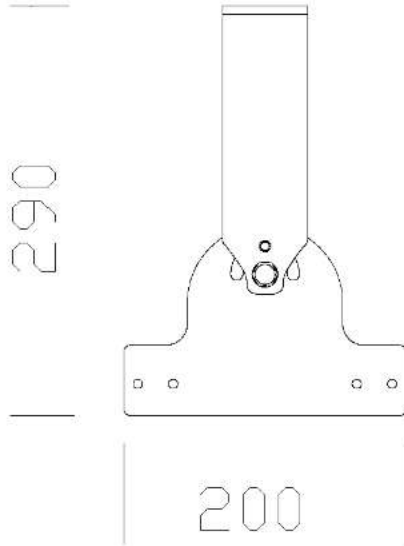


Download

DXF 2D
- 530.dxf



Code	Kg	WTot	Colour
998099-00	2,01	0 W	INOX

Prodotti



- 3262 Modoled - LED asimétrico



- 3264 Modoled - LED contra el



- 3263 Modoled - LED mixed



- 3260 Modoled - LED

The reported luminous flux is the flux emitted by the light source with a tolerance of $\pm 10\%$ compared to the indicated value. The W tot column indicates the total wattage absorbed by the system without exceeding 10% of the indicated