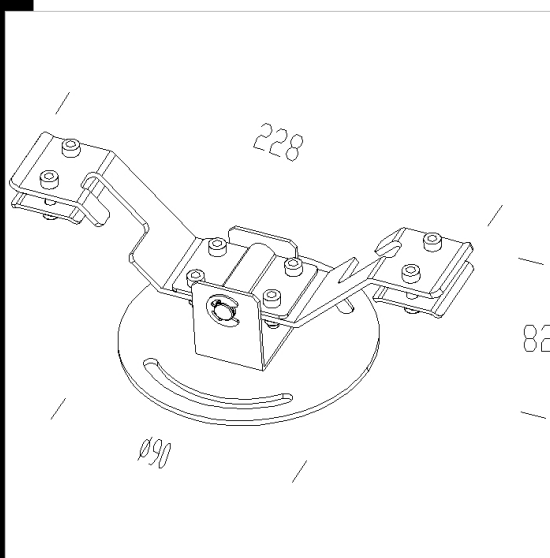
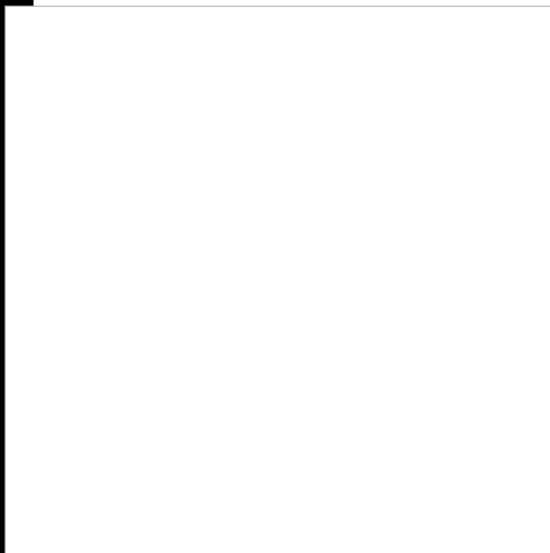


55 empalme en suspensión

Download

DXF 2D
- 55.dxf



Code	Kg	WTot	Colour
998098-00	0,06	0 W	INOX

Prodotti



- 3188 Sforza Ø600 centro de la



- 3186 Sforza Ø500 centro de la



- 3224 Sforza LED extensivo



- 3226 Sforza LED centro de la



- 3227 Sforza LED



- 3307 Visconti 8 LED -
Alumbrado publico



- 3303 Visconti



- 3310 Visconti 11 LED



- 1784 Astro LED centro de la
via



- 3341 Loto 2 - LED -
acoplamiento central

The reported luminous flux is the flux emitted by the light source with a tolerance of $\pm 10\%$ compared to the indicated value. The W tot column indicates the total wattage absorbed by the system without exceeding 10% of the indicated