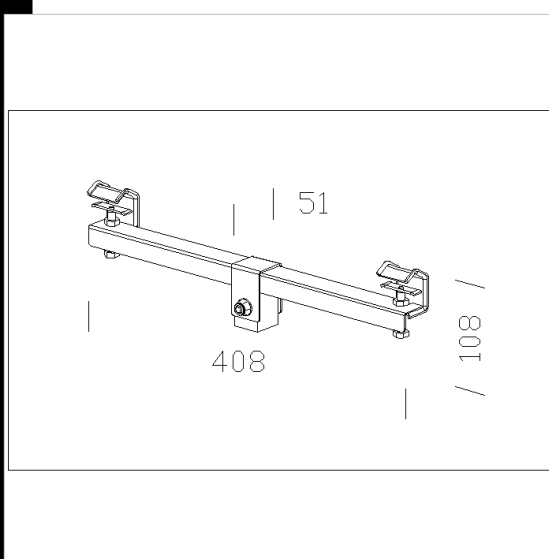
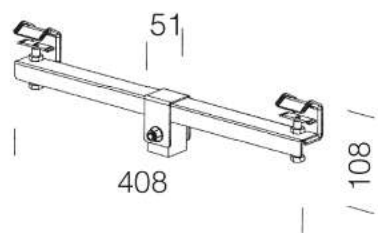


160 conexión en suspensión

De acero inoxidable. Para la aplicación a cables de acero.

Download

DXF 2D  
- 160.dxf



Code	Kg	WTot	Colour
998090-00	0,06	0 W	INOX

Prodotti



The reported luminous flux is the flux emitted by the light source with a tolerance of  $\pm 10\%$  compared to the indicated value. The W tot column indicates the total wattage absorbed by the system without exceeding 10% of the indicated