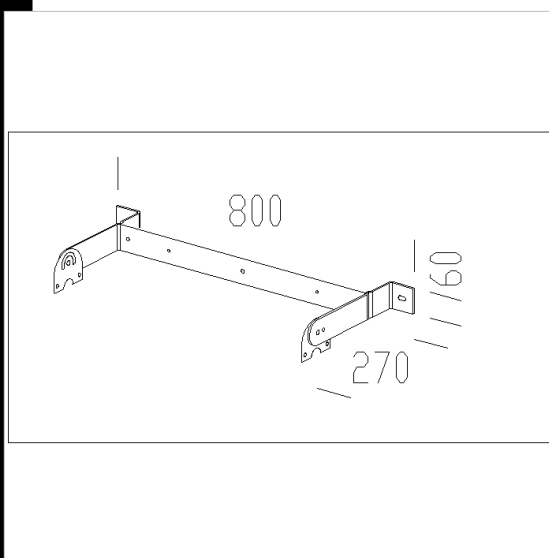


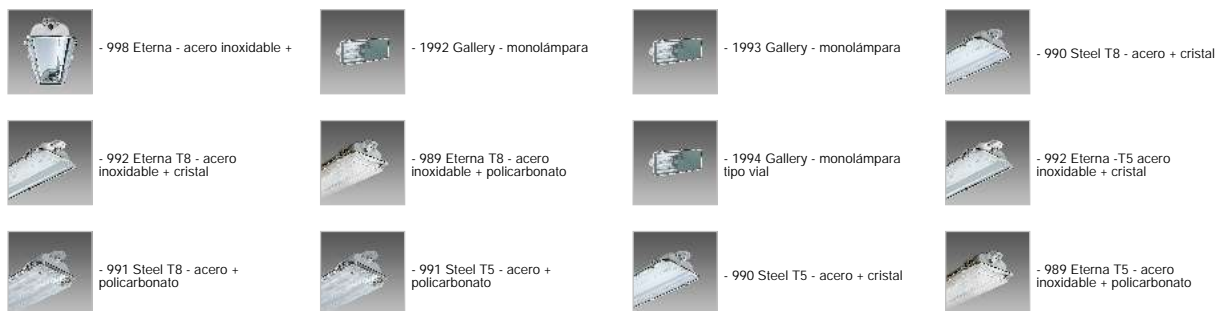
Download

- DXF 2D
- 127.dxf
- Montaggi
- acc_127.pdf



Code	Kg	WTot	Colour
998079-00	5,70	0 W	INOX

Prodotti



The reported luminous flux is the flux emitted by the light source with a tolerance of $\pm 10\%$ compared to the indicated value. The W tot column indicates the total wattage absorbed by the system without exceeding 10% of the indicated